

# Go Mic Mobile

Professional Wireless System for Mobile Filmmaking



Quick Start Guide

**SAMSON®**

## Important Safety Information



**ATTENTION  
RISQUE D'ÉLECTROCUTION !  
NE PAS OUVRIR !**

CAUTION: TO REDUCE THE RISK OF ELECTRIC SHOCK, DO NOT REMOVE COVER (OR BACK). NO USER-SERVICEABLE PARTS INSIDE. REFER SERVICING TO QUALIFIED SERVICE PERSONNEL.



This lightning flash with arrowhead symbol within an equilateral triangle is intended to alert the user to the presence of non-insulated "dangerous voltage" within the product's enclosure that may be of sufficient magnitude to constitute a risk of electric shock.



The exclamation point within an equilateral triangle is intended to alert the user to the presence of important operating and maintenance instructions in the literature accompanying the appliance.

### WARNING

TO PREVENT FIRE OR SHOCK HAZARD. DO NOT USE THIS PLUG WITH AN EXTENSION CORD, RECEPTACLE OR OTHER OUTLET UNLESS THE BLADES CAN BE FULLY INSERTED TO PREVENT BLADE EXPOSURE. TO PREVENT FIRE OR SHOCK HAZARD. DO NOT EXPOSE THIS APPLIANCE TO RAIN OR MOISTURE. TO PREVENT ELECTRICAL SHOCK, MATCH WIDE BLADE PLUG TO WIDE SLOT AND FULLY INSERT.



If you want to dispose this product, do not mix it with general household waste. There is a separate collection system for used electronic products in accordance with legislation that requires proper treatment, recovery and recycling.

Private households in the 28 member states of the EU, in Switzerland and Norway may return their used electronic products free of charge to designated collection facilities or to a retailer (if you purchase a similar new one).

For Countries not mentioned above, please contact your local authorities for a correct method of disposal.

By doing so you will ensure that your disposed product undergoes the necessary treatment, recovery and recycling and thus prevent potential negative effects on the environment and human health.

Copyright 2017, Samson Technologies Corp. v4

Samson Technologies Corp.  
278-B Duffy Ave  
Hicksville, NY 11801  
www.samsontech.com

## Important Safety Information

1. Read these instructions.
2. Keep these instructions.
3. Heed all warnings.
4. Follow all instructions.
5. Do not use this apparatus near water.
6. Clean only with dry cloth.
7. Do not block any ventilation openings. Install in accordance with the manufacturer's instructions.
8. Do not install near any heat sources such as radiators, heat registers, stoves, or other apparatus (including amplifiers) that produce heat.
9. Do not defeat the safety purpose of the polarized or grounding type plug. A polarized plug has two blades with one wider than the other. A grounding type plug has two blades and a third grounding prong. The wide blade or the third prong are provided for your safety. If the provided plug does not fit into your outlet, consult an electrician for replacement of the obsolete outlet.
10. Protect the power cord from being walked on or pinched particularly at the plugs, convenience receptacles, and at the point where they exit from the apparatus.
11. Only use attachments/accessories specified by the manufacturer.
12. Use only with the cart, stand, tripod, bracket, or table specified by the manufacturer, or sold with the apparatus. When a cart is used, use caution when moving the cart/apparatus combination to avoid injury from tip-over.
13. Unplug the apparatus during lightning storms, or when unused for long periods of time.
14. Refer all servicing to qualified personnel. Service is required when the apparatus has been damaged in any way, such as power supply cord or plug is damaged, liquid has been spilled or objects have fallen into the apparatus, has been exposed to rain or moisture, does not operate normally, or has been dropped.
15. This appliance shall not be exposed to dripping or splashing water and no object filled with liquid such as vases shall be placed on the apparatus.
16. Caution-to prevent electrical shock, match wide blade plug wide slot fully insert.
17. Please keep a good ventilation environment around the entire unit.
18. The direct plug-in adapter is used as disconnect device, the disconnect device shall remain readily operable.
19. Batteries (battery pack or batteries installed) shall not be exposed to excessive heat such as sunshine, fire or the like.



## Important Safety Information

### FCC Notice

1. This device complies with Part 15 of the FCC Rules. Operation is subject to the following two conditions:
  - (1) This device may not cause harmful interference.
  - (2) This device must accept any interference received, including interference that may cause undesired operation.
2. Changes or modifications not expressly approved by the party responsible for compliance could void the user's authority to operate the equipment.

### FCC Statement

This equipment has been tested and found to comply with the limits for a Class B digital device, pursuant to Part 15 of the FCC Rules. These limits are designed to provide reasonable protection against harmful interference in a residential installation.

This equipment generates, uses, and can radiate radio frequency energy and, if not installed and used in accordance with the instructions, may cause harmful interference to radio communications. However, there is no guarantee that interference will not occur in a particular installation. If this equipment does cause harmful interference to radio or television reception, which can be determined by turning the equipment off and on, the user is encouraged to try to correct the interference by one or more of the following measures:

- Reorient or relocate the receiving antenna.
- Increase the separation between the equipment and receiver.
- Connect the equipment into an outlet on a circuit different from that to which the receiver is connected.
- Consult the dealer or an experienced radio/TV technician for help.

### RF Exposure Statement (SAR)

This device is designed and manufactured not to exceed the emission limits for exposure to radio frequency (RF) energy set by the Federal Communications Commission of the U.S. Government.

The exposure standard for wireless device employs a unit of measurement known as the Specific Absorption Rate, or SAR. The SAR limit set by the FCC is 1.6W/kg. Tests for SAR are conducted using standard operating positions accepted by the FCC with the device transmitting at its highest certificated power level in an tested frequency bands.

To maintain compliance with the FCC RF exposure requirements.

The maximum summation of SAR was:0.90W/Kg 1g Body SAR for GMM,0.61W/Kg 1g Body SAR for HXD2,0.48W/Kg 1g Body SAR for PXD2.

**WARNING:** The battery (battery or batteries or battery pack) shall not be exposed to excessive heat such as sunshine, fire or the like.

Hereby, Samson Technologies Corp., declares that this Go Mic Mobile Wireless System is in compliance with the essential requirements and other relevant provisions of Directive 2014/53/EU. The declaration of conformity may be consulted at:

[http://www.samsontech.com/site\\_media/support/manuals/GMM\\_DOC.pdf](http://www.samsontech.com/site_media/support/manuals/GMM_DOC.pdf)



## Introduction

Congratulations on purchasing the Samson Go Mic Mobile Wireless System. The Go Mic Mobile is a dual wireless system designed to deliver professional quality audio for mobile video. Pair and mix two transmitters to the GMM and turn your mobile device into a complete video production studio. It is the ideal solution for mobile journalists, filmmakers, videographers or anyone looking to add wireless audio to their video projects.

The Go Mic Mobile includes all the cables needed to connect the Go Mic Mobile Receiver (GMM) to a smartphone or digital camera (with an audio input). The Go Mic Mobile will work with iOS, Android, Mac OS and Windows devices. The locking mount arms enable the Go Mic Mobile receiver to mount directly onto the rear of a smartphone out of the way of the phone's lens. The arms can be removed to attach the receiver to a tablet (using the included hook-and-loop strips) or affix to a camera using the included shoe mount adapter.

In these pages, you'll find a detailed description of the features of the Go Mic Mobile wireless system, instructions for its setup and use, and specifications. If your wireless system was purchased in the United States, you'll also find a registration card enclosed—don't forget to follow the instructions so that you can receive technical support and so that we can send you updated information about this and other Samson products in the future. Also, be sure to check out our website ([www.samsontech.com](http://www.samsontech.com)) for complete information about our full product line.

We recommend you keep the following records for reference, as well as a copy of your sales receipt.

Transmitter & Receiver Serial number: \_\_\_\_\_

Date of purchase: \_\_\_\_\_

If you have any questions or comments regarding the Go Mic Mobile Wireless Microphone System or any other products from Samson, do not hesitate to contact us at [support@samsontech.com](mailto:support@samsontech.com).

With proper care and maintenance, your Go Mic Mobile Wireless System will operate trouble-free for many years. Should your Go Mic Mobile Wireless System ever require servicing, a Return Authorization (RA) number must be obtained before shipping your unit to Samson. Without this number, the unit will not be accepted. Please visit [www.samsontech.com/ra](http://www.samsontech.com/ra) for an RA number prior to shipping your unit. Please retain the original packing materials and, if possible, return the unit in its original carton. If your Go Mic Mobile Wireless System was purchased outside of the United States, contact your local distributor for warranty details and service information.

## Charging the Go Mic Mobile Receiver Battery

The Go Mic Mobile Receiver has an internal lithium-ion rechargeable battery. The receiver is charged via the Mini USB jack located on the side of the receiver.

To charge the receiver, use the included USB charging cable and AC adapter. Charging may also be done with 3rd party AC 5V adapters, or by connecting the units to a standard computer USB port.

The total full charge time is 3 hours if you use a fast charger or a fast-charging USB port (with a lightning symbol next to it), but if connected to a “standard computer USB port” it will take 10 hours. The max run time from a full battery is approximately 7–13 hours.

Note: The Go Mic Mobile receiver does not recharge from the Micro USB port, so the battery level will decrease if plugged into a computer. If you want to power the receiver while it is connected to a device, you will also need to connect the Mini USB port to the computer or AC adapter.

### **Getting the most out of the rechargeable battery:**

- Completely charge the batteries before first use
- Fully charge the battery before it will be used.
- After the battery is charged, unplug the adapter from the outlet.
- The optimal temperature range for using and storing the battery is 50°F - 86°F (10°C - 30°C). The battery performance and operation may decrease in temperatures below 50°F (10°C).
- To extend the battery life, power off the Go Mic Mobile receiver when not in use.

## Go Mic Mobile Receiver (GMM) Callouts

**1. Power/Pair Switch** - Press less than 5 seconds to turn the unit on or off. Press and hold for more than 5 seconds to enter pairing mode.  
 Note: The Go Mic Mobile receiver and transmitter are pre-paired from the factory.

**2. Analog Output Select Switch** - Sets the wiring of the analog output. The OUT 1 & 2 positions are for connecting to a smartphone's TRRS headset input. The Headphone/Line output is for connecting the receiver to a camera, mixer or headphones.

**3. VOL Control** - This slider sets the level of the audio signal sent to the receiver's digital and analog outputs.

**4. MIX / 2 CH Switch** - Sets the receiver audio output to either mixed mono or split left and right.

**5. CH 1 & CH 2 Indicators** - When lit white, the LEDs indicate the receiver is paired with a transmitter. When the transmitter input or the receiver output is clipped, the LEDs flash red.

**6. Battery Level Indicator** - This indicator lights green when the battery is charged, lights red when the battery is low, and orange when the battery is charging.

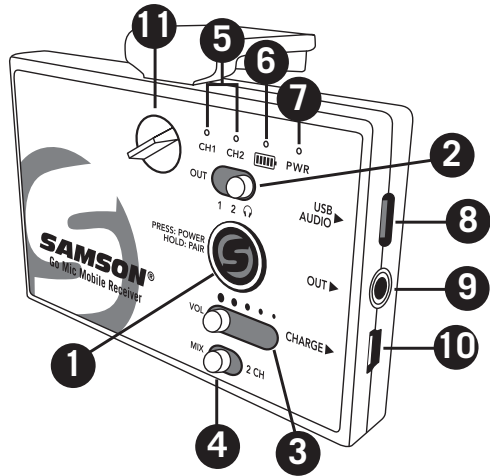
**7. Power Indicator** - This indicator lights green when the Go Mic Mobile Receiver is powered on.

**8. USB AUDIO Output** - Use this output when connecting to a digital audio input.

**9. OUT Jack** - Use this 3.5mm jack when connecting to an analog input or headphones.

**10. USB CHARGE Port** - Use this Mini USB jack to connect the Go Mic Mobile Receiver to the included AC adapter to charge the receiver's internal battery.

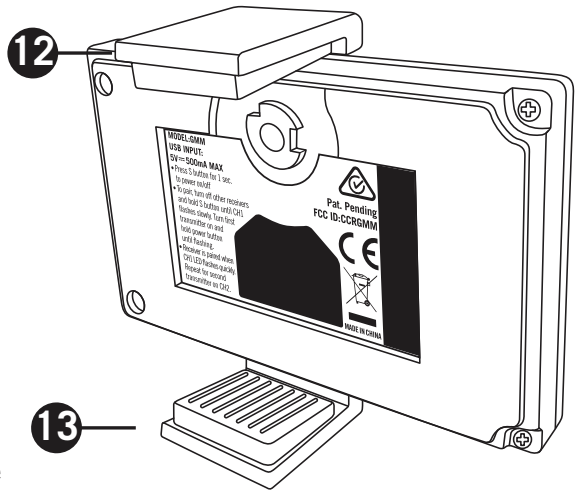
**11. Lock Screw** - Turn left to loosen the screw and adjust the mounting arm. Turn right to lock the mounting arm in place.



## Go Mic Mobile Receiver (GMM) Callouts

- 12. Adjustable Mounting Arm** - This mounting arm is adjustable to affix the GMM Receiver to a smartphone. To adjust, loosen the Lock Screw on the top of the GMM Receiver. To fix the arm in place, tighten the Lock Screw.

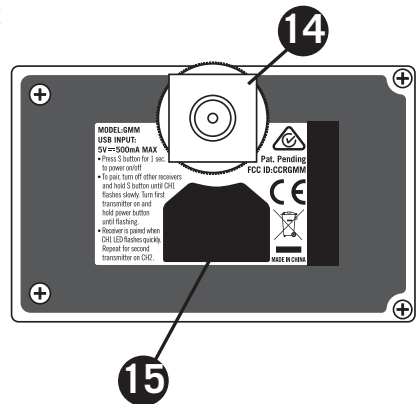
Note: The Adjustable Mounting Arm can be removed by loosening the Lock Screw, sliding the arm to the closed position, then unscrew the Lock Screw completely and remove. Now slide the Mounting Arm out of the GMM Receiver and replace the Lock Screw.



- 13. Fixed Mounting Arm** - This fixed mounting arm is used to mount the GMM Receiver to a smartphone. A 1/4"-20 adapter is included to mount the GMM to a standard camera tripod. To remove the fixed mounting arm, unscrew the two Phillips screws.

- 14. Cold Shoe Adapter** - This removable shoe mount adapter is used to affix the GMM Receiver to a camera or mobile filming case.

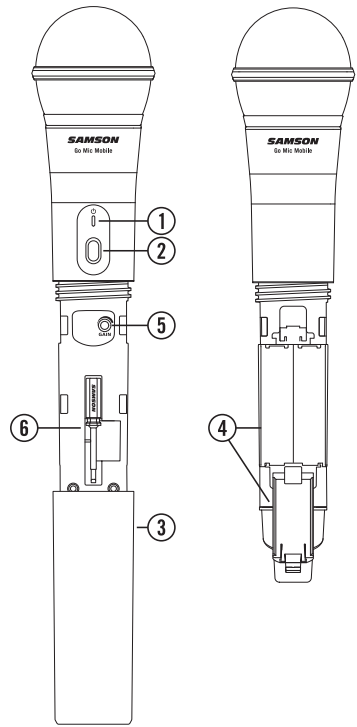
- 15. Hook and Loop Area** - Use the included self adhesive hook and loop pieces to affix the GMM to a tablet. Before attaching the GMM to a tablet, remove the standard mounting arms and/or cold shoe adapter.





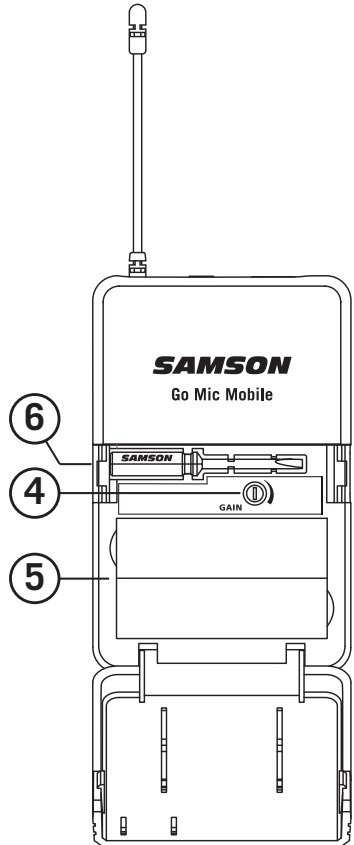
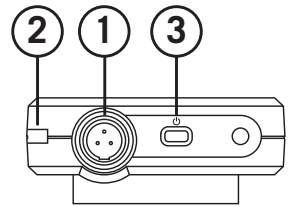
## HXD2 Handheld Transmitter Callouts

1. **Status Indicator** - This LED displays the operation mode.
2. **Power/Pair Switch** - Press <5 seconds to turn the unit on or off. Press >5 seconds to enter pairing mode.
3. **Battery Cover** - Unscrew the battery cover and slide down to open the Go Mic Mobile Handheld battery compartment.
4. **Battery Holder** - Open the battery holder by pressing the tab and lifting the cover. Insert two standard AA (LR6) batteries here, being sure to observe the plus and minus polarity markings shown.  
**WARNING:** Do not insert the batteries backwards; doing so can cause severe damage to the transmitter and will void your warranty.
5. **Input GAIN Control** - This control adjusts the transmitter input sensitivity. This input sensitivity control has been factory preset to provide optimum level for the particular microphone capsule provided with the Go Mic Mobile system and so we recommend that this not be adjusted manually. If necessary, however, you can use the supplied plastic screwdriver to raise or lower the input level.
6. **Plastic Screwdriver** - Used to adjust the input GAIN control.



## PXD2 Belt Pack Transmitter Callouts

1. **Input Connector** - Connect the input device via the mini-XLR connector. The PXD2 is supplied with a lavalier microphone.
2. **Status Indicator** - This LED displays the operation mode
3. **Power/Pair Switch** - Press <5 seconds to turn the unit on or off. Press >5 seconds to enter pairing mode.
4. **Input GAIN Control** - This control adjusts the transmitter input sensitivity.
5. **Battery Holder** - Insert two standard AA (LR6) batteries here, being sure to observe the plus and minus polarity markings shown.  
**WARNING:** Do not insert the batteries backwards; doing so can cause severe damage to the PXD2 and will void your warranty.
6. **Plastic Screwdriver** - Used to adjust the input GAIN control.



## Getting Started - Pairing

The Go Mic Mobile system will come paired from the factory. If you need to re-pair the system for any reason follow these steps:

1. Turn on the Go Mic Mobile Receiver (GMM) and Go Mic Mobile transmitter by pressing their Power/Pair buttons for less than 5 seconds.
2. On the GMM, press and hold the Power/Pair button for more than 5 seconds. The CH1 LED will start flashing slowly.
3. On the Go Mic Mobile transmitter, press and hold the Power/Pair for more than 5 seconds. The transmitter LED will start flashing slowly.
4. When the receiver and transmitter are paired the LEDs will quickly flash and the transmitter will light solid Green and the GMM CH 1 LED will light solid white. The Go Mic Mobile Receiver CH2 LED will now start flashing slowly.
5. To pair a second transmitter, press and hold the Power/Pair button on the second transmitter for more than 5 seconds. The transmitter LED will start flashing slowly. When the receiver and transmitter are paired the LEDs will quickly flash and the indicator on the second transmitter will light solid green and the GMM CH 2 LED will light solid white.  
Note: If you do not wish to pair a second transmitter, the receiver will time out of pairing mode after 20 seconds.
7. To re-pair the paired transmitters with the Go Mic Mobile receiver, press and hold the Power/Pair button on the receiver for more than 5 seconds. The receiver will erase the current paired transmitters and enter pairing mode. If no transmitters are paired with the receiver, the GMM will time out and return to the previously paired state.

**Note: When pairing your Go Mic Mobile system, make sure only one GMM receiver is turned on and only one microphone is in pairing mode at a time.**

---

## Getting Started - Audio Connections

The Go Mic Mobile can be connected to a smartphone using the Micro USB digital output or 3.5mm analog output.

### ***Connecting to an iOS device (iPhone, iPad or iPod Touch)***

Using the included Micro USB to Lightning cable, connect the cable to the USB Audio Output jack on the GMM to the Lightning connector on the iOS device. Once connected, the iOS device will recognize the Go Mic Mobile as the audio input device.

Open a recording or video application and start recording.

*Note: It is recommended to put your iOS device in Do Not Disturb mode or Airplane mode to eliminate the video or audio recording from being interrupted by a phone call. Leave Airplane Mode off to keep geolocation information tagged to your video files.*

### ***Connecting to an Android device with the digital audio output***

Go Mic Mobile offers digital audio compatibility with Android devices running Android 5.0 (Lollipop) or later that allow USB digital audio connectivity. Not all Android applications support USB audio, and you may need to download a third party app to use this feature. To connect using the USB Audio Output jack, make sure your Android device can accept a digital audio input. Using the Micro USB to USB type-C or Micro USB to Micro USB cable, connect the cable to the Micro USB audio output on the GMM and the USB input of the Android mobile device.

### ***Connecting to a mobile device with the analog audio output***

If your mobile device does not accept digital audio input, the GMM can be connected using the 3.5mm analog output. When connecting to a smartphone, you will need to set the Analog Output Select Switch switch to either the Out 1 or Out 2 position. For most smartphones the Out 1 (CTIA / AHJ) position is the appropriate setting. If your mobile device uses OMTP wiring for the input, use the Out 2 position. For more information on smartphone wiring visit [www.samsontech.com/support/go-mic-mobile](http://www.samsontech.com/support/go-mic-mobile)

### ***Connecting to a DSLR, cinema camera, or mixer***

When connecting the GMM to a DSLR camera, cinema camera or mixer, use the included 3.5mm analog audio output. Set the Output Selector switch to the Line/Headphone setting.

### ***Monitoring with the Go Mic Mobile***

The GMM 3.5mm output can be used to monitor the audio transmitted to the receiver. The headphone output follows the MIX / 2 CH Switch. The level of the headphones is controlled by the VOL output slider and follows the output level of the USB Audio Output.

## Getting Started - Setting the system volume

Good audio can vastly improve a poorly shot video, but bad audio can hurt any video. In order to achieve the best results when adding audio to video with the Go Mic Mobile, it is important to pay attention to the gain staging of the transmitters and receiver. If the signal is too high, it can overload or distort. Conversely if the signal is too low, you will need to raise it up in post-production which can add background noise.

The GMM Receiver CH 1 and CH 2 LEDs include peak or overload indication when the input to the receiver (signal sent from the transmitter) is overloaded. To set the level of the transmitters, while talking into the Go Mic Mobile Transmitter, turn the Gain control (inside the battery compartment) up until you reach a good recording level. If the corresponding CH indicator flashes red, turn the Gain control down until you no longer see the indicator flash red or it lights occasionally during very loud signals.

When the transmitter level is set, perform a test recording to set the level of the GMM Receiver. If the recording app has an input meter, adjust the GMM Receiver VOL control until the meter is as close to 0 dB (or clip) as possible without going over.

*Note: The receiver VOL control does not affect the transmitter gain setting. For example, if the transmitters are sending a distorted signal, lowering the receiver volume will not fix the audio, it will only lower the overall level of the distorted signal.*

## MIX / 2 CH Switch

The GMM Receiver can be paired with two transmitters for audio from two independent sound sources. The MIX / 2 CH switch selects how the audio will be sent to the audio outputs of the receiver.

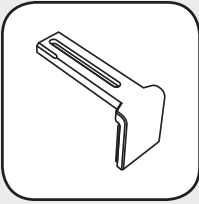
In the MIX position the two channels are mixed in mono on both the left and right audio tracks.

In the 2 CH switch position, the CH 1 transmitter is on the left audio channel and CH 2 transmitter is on the right audio channel. In 2 CH mode, each input can be routed to a separate track in your computer recording software. To do this create two mono tracks, and set the inputs to Samson Go Mic Mobile Left (Input 1) and Samson Go Mic Mobile Right (Input 2) respectively.

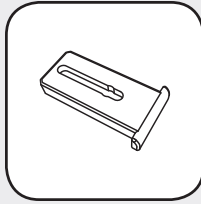
The MIX / 2 CH Switch mixes the audio prior to the audio outputs of the GMM Receiver. The audio from both transmitters will be present on the left and right audio tracks of your video or recording software.

# Go Mic Mobile Mounting Instructions

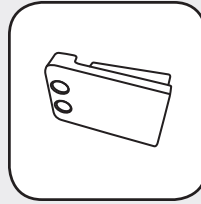
## Mounting Accessories



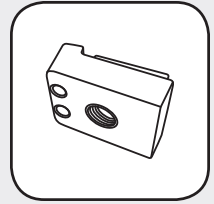
Adjustable  
Mounting Arm



Insert Cover



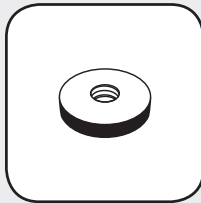
Mounting Arm



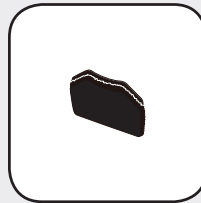
1/4"-20 Mounting  
Arm



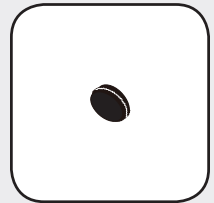
Cold Shoe Adapter



Thumb Screw



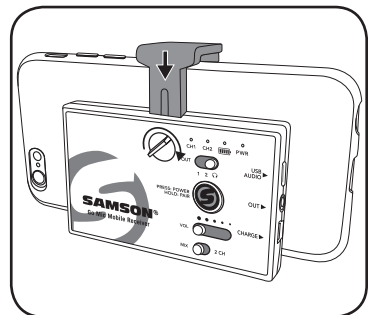
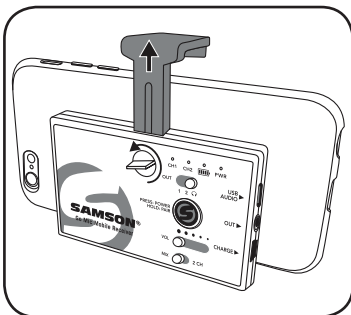
Large Hook-and-  
loop



Small Hook-and-  
loop

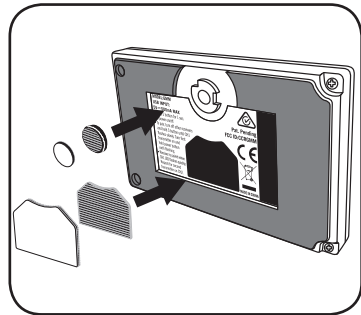
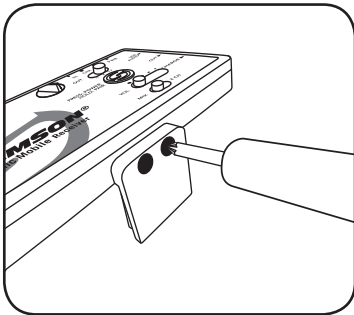
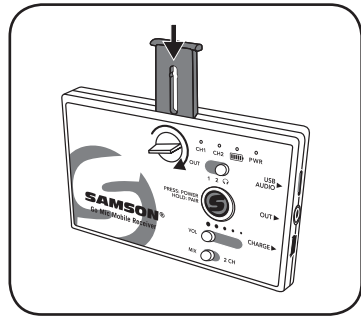
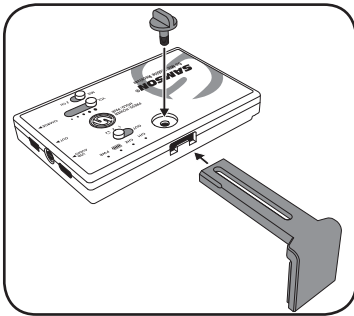
## Mounting to a smartphone

1. Loosen the Lock Screw until the Adjustable Mounting Arm can be moved.
2. Position the receiver on the rear side of the smartphone.
3. Slide the Adjustable Mounting Arm so that it is tight with the edge of the smartphone.
4. Apply pressure to the Adjustable Mounting Arm and tighten the Lock Screw.



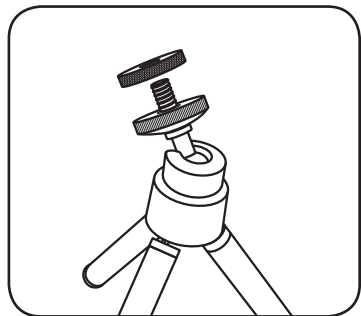
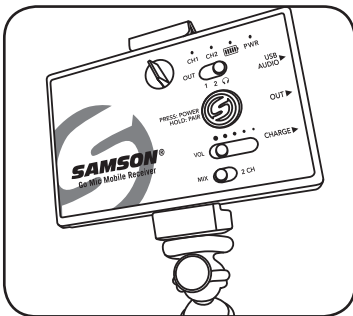
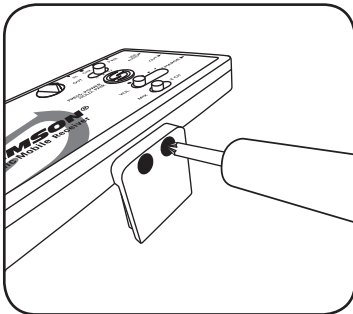
## Mounting to a tablet

1. Completely loosen and remove the Lock Screw.
2. Slide and remove the Adjustable Mounting Arm.
3. Slide the Insert Cover into the receiver and tighten the Lock Screw
4. Remove the fixed Mounting Arm by removing the two Phillips head screws.
5. Affix the Large Hook-and-loop piece by peeling the adhesive backing off of the hook side and placing the Large Hook-and-loop section onto the back of the Go Mic Mobile Receiver.
6. Remove the backing of the loop side and position the receiver on the rear side of the tablet.
7. Press the Go Mic Mobile Receiver against the tablet to secure.
8. If the Go Mic Mobile Receiver is not secure, use the additional Small Hook-and-loop section..



## Mounting to a tripod

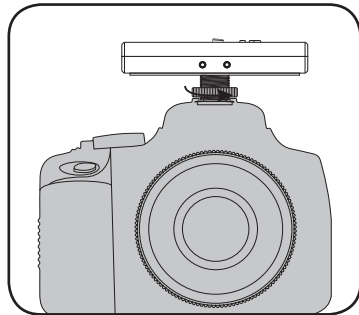
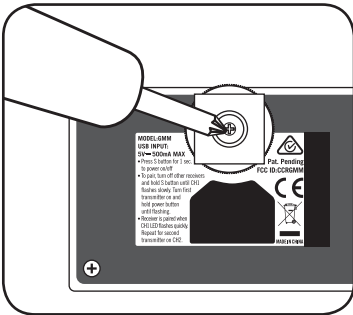
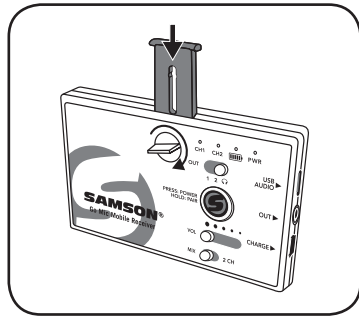
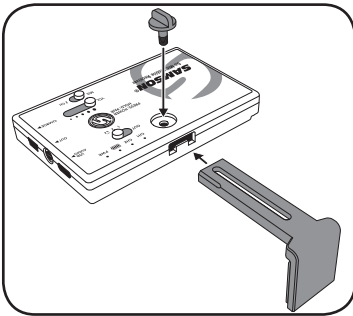
1. Affix the 1/4"-20 Mounting Arm to the Go Mic Mobile Receiver by first removing the fixed Mounting Arm using the two Phillips head screws.
2. Attach the GMM to the tripod following the tripod mounting instructions.
3. If the tripod 1/4"-20 mounting stud is longer than 3/8", use the include Thumb Screw before mounting the Go Mic Mobile Receiver to the tripod.
4. Mount the smartphone to the Go Mic Mobile Receiver following the instructions from the section titled "**Mounting to a Smartphone**".





## Affixing to a cold shoe adapter

1. Remove the Fixed Mounting Arm by removing the two screws.
2. Remove the Adjustable Mounting Arm by loosening the Lock Screw, sliding the arm to the closed position, then unscrew the Lock Screw completely and remove.
3. Slide the mounting arm out of the receiver. Replace the Adjustable Mounting Arm with the Insert Cover piece.
4. Replace the Lock Screw
5. Position the included shoe mount adapter on the bottom of the Go Mic Mobile Receiver, take note that the shoe mount adapter is keyed so it will stay in position when attached to the receiver.
6. Using a Phillips screwdriver, fasten the shoe mount adapter to the receiver by tightening the included screw.
7. Slide the GMM Receiver into the shoe mount of the connecting device.
8. Once positioned, tighten the large thumb screw on the receiver shoe mount to hold in place.



## Specifications

### Go Mic Mobile Wireless System

Working Range	100' (30m) line of sight
Working Frequency	2.406 ~ 2.478 GHz
Frequency Response	10 Hz – 22 KHz
Operating Temperature	-10°C ~ +50°C
Firmware Version	V1.0
Hardware Version	V1.0
Signal To Noise	90 dB (A) mic at minimum gain 78 dB (A) mic at maximum gain
Accessories	Micro USB to Lightning cable, Micro USB to Micro USB cable, Micro USB to USB-C cable, Mini-B USB to USB-A cable, 3.5mm audio cable, shoe mount adapter

### GMM Receiver

Max. Analog Audio Output Level	+6 dBu, =4.4 Vpp, =70 mW per side into 32Ω
USB Audio Sample Rate	48 kHz
USB Audio Support	Windows, Mac OS, iOS, Android, Linux
Battery Life	7 – 13 hours depending on use
Power	Internal rechargeable lithium-ion battery
Operating Voltage	5V DC 500mA

### HXD2 Handheld Transmitter

Microphone Type	Unidirectional
RF Power	<10 mW EIRP
Power Requirements	Two AA (LR6) alkaline batteries
Battery Life	20 hours

### PXD2 Belt Pack Transmitter

Input Connector	Mini-XLR (P3)
RF Power	<10 mW EIRP
Power Requirements	Two AA (LR6) alkaline batteries
Battery Life	20 hours

*At Samson, we are continually improving our products, therefore specifications and images are subject to change without notice.*

## Declaration

“Made for iPod,” “Made for iPhone,” and “Made for iPad” mean that an electronic accessory has been designed to connect specifically to iPod, iPhone, or iPad, respectively, and has been certified by the developer to meet Apple performance standards. Apple is not responsible for the operation of this device or its compliance with safety and regulatory standards. Please note that the use of this accessory with iPod, iPhone, or iPad may affect wireless performance.

iPad, iPhone, and iPod touch are trademarks of Apple Inc., registered in the U.S. and other countries. iPad Air and iPad mini are trademarks of Apple Inc. The trademark “iPhone” is used with a license from Aiphone K.K.

Made for

iPhone 7 Plus, iPhone 7, iPhone SE, iPhone 6s Plus, iPhone 6s, iPhone 6 Plus, iPhone 6, iPhone 5s, iPhone 5c, iPhone 5

iPad Pro (9.7-inch), iPad Pro (12.9-inch), iPad mini 4, iPad Air 2, iPad mini 3, iPad Air, iPad mini 2, iPad mini, iPad (4th generation)

iPod touch (6th generation), iPod touch (5th generation)

## Informations de sécurité importantes



**ATTENTION  
RISQUE D'ÉLECTROCUTION !  
NE PAS OUVRIR !**

ATTENTION : POUR RÉDUIRE LE RISQUE D'ÉLECTROCUTION, NE PAS OUVRIR LE CAPOT (OU LA FACE ARRIÈRE). NE CONTIENT AUCUNE PIÈCE QUE L'UTILISATEUR PEUT ENTREtenir. CONFIER L'ENTRETIEN A DU PERSONNEL D'ENTRETIEN QUALIFIE.



Cet éclair avec le symbole de flèche dans un triangle équilatéral est destiné à alerter l'utilisateur de la présence de « tension dangereuse » non isolée à l'intérieur du produit qui peut être d'une importance suffisante pour constituer un risque de choc électrique.



Le point d'exclamation dans un triangle équilatéral est destiné à alerter l'utilisateur de la présence d'importantes instructions de fonctionnement et d'entretien dans la documentation accompagnant l'appareil.

### AVERTISSEMENT

POUR ÉVITER UN INCENDIE OU UNE ÉLECTROCUTION. NE PAS UTILISER CETTE FICHE AVEC UN RALLONGE, OU TOUTE AUTRE PRISE, SAUF SI LES BROCHES PEUVENT ÊTRE ENTIÈREMENT ENFONCÉES POUR ÉVITER QU'ELLES NE SOIENT EXPOSÉES. POUR ÉVITER UN INCENDIE OU UNE ÉLECTROCUTION. NE PAS EXPOSER CET APPAREIL A LA PLUIE OU A L'HUMIDITÉ. POUR ÉVITER TOUT RISQUE D'ELECTROCUTION, BIEN INSÉRER LA FICHE SECTEUR, CORRECTEMENT ET ENTIÈREMENT.



Pour mettre ce produit au rebut, ne le mélangez pas aux ordures ménagères. Il existe un système de collecte séparée pour les produits électroniques usagés, conformément à la législation qui prévoit le traitement, la récupération et le recyclage corrects.

Les ménages dans les 28 états membres de l'UE, en Suisse et en Norvège peuvent mettre au rebut leurs produits électroniques usagés gratuitement auprès d'installations de collecte agréées ou auprès d'un détaillant (si vous achetez un produit neuf similaire).

Pour les pays non mentionnés ci-dessus, veuillez contacter les autorités locales pour connaître la méthode de traitement appropriée.

Ce faisant, vous vous assurerez que votre produit subit le traitement, la récupération et le recyclage nécessaires et prévenez ainsi les effets négatifs potentiels sur l'environnement et la santé humaine.

### Informations de sécurité importantes

1. Lisez ces instructions.
2. Conservez ces instructions.
3. Respectez tous les avertissements.
4. Suivez toutes les instructions.
5. N'utilisez pas cet appareil à proximité d'une source d'eau.
6. Nettoyer uniquement avec un chiffon sec.
7. Ne pas obstruer les ouvertures de ventilation. L'installer conformément aux instructions du fabricant.
8. Ne pas installer près de sources de chaleur telles que des radiateurs, des diffuseurs d'air chaud, des fours, des poêles ou autres appareils (y compris les amplificateurs) produisant de la chaleur.
9. Ne pas utiliser la fiche polarisée ou de terre à un autre usage que celui prévu. Une fiche polarisée comporte deux broches, l'une plus large que l'autre. Une fiche de terre comporte deux broches et une troisième de mise à la terre. La broche large, ou troisième broche assure votre sécurité. Si la fiche fournie de correspond pas à votre fiche murale, consultez un électricien pour remplacer la fiche murale obsolète.
10. Faites en sorte que le cordon ne soit pas piétiné ou pincé, en particulier au niveau des fiches, des prises de courant, ou au point de sortie de l'appareil.
11. Utiliser uniquement des fixations/accessoires spécifiés par le fabricant.
12. Utilisez-le uniquement avec le chariot, le trépied, un support ou une table spécifiés par le fabricant ou vendus avec l'appareil. Lors de l'utilisation d'un chariot, soyez prudent lors du déplacement de l'ensemble chariot/appareil pour éviter des blessures suite au renversement.
13. Débranchez l'appareil pendant les orages ou lorsqu'il n'est pas utilisé pendant de longues périodes de temps.
14. Confiez l'entretien à du personnel d'entretien qualifié. Une réparation est nécessaire si l'appareil a été endommagé d'une façon quelconque, par exemple si le cordon d'alimentation ou la fiche sont endommagés, en cas de dommages en raison de renversement de liquides ou de chutes d'objets dans l'appareil, d'une exposition à la pluie ou à l'humidité, ou si l'appareil ne fonctionne pas normalement, ou est tombé.
15. Cet appareil ne doit pas être exposé à des gouttes ou des éclaboussures d'eau et aucun objet rempli de liquide, comme un vase, ne doit être placé sur l'appareil.
16. Attention, afin d'éviter tout risque d'électrocution, bien insérer la fiche secteur correctement et entièrement.
17. Veiller à assurer une ventilation correcte autour de l'unité.
18. L'adaptateur secteur direct est utilisé comme dispositif de déconnexion, le dispositif de déconnexion doit rester facilement accessible.
19. Les piles (pack de piles ou piles installées) ne doivent pas être exposées à une chaleur excessive comme le soleil, le feu ou similaire.



## Informations de sécurité importantes

### Avis FCC

1. Ce dispositif est conforme à la section 15 des réglementations de la FCC. Son fonctionnement est soumis aux deux conditions suivantes :
  - (1) cet appareil ne peut causer d'interférences nuisibles.
  - (2) cet appareil doit accepter toute interférence reçue, notamment celles pouvant entraîner un dysfonctionnement.
2. Tout changement ou modification n'ayant pas été expressément approuvé(e) par la partie responsable de la conformité pourrait annuler l'autorité de l'utilisateur à utiliser ce dispositif.

### Déclaration de la FCC

Cet équipement a été testé et jugé conforme aux limites d'un appareil numérique de classe B, conformément à la partie 15 des règles de la FCC. Ces limites sont conçues pour fournir une protection raisonnable contre les interférences nuisibles dans une installation résidentielle.

Cet équipement génère, utilise et peut émettre de l'énergie radiofréquence et, s'il n'est pas installé et utilisé conformément aux instructions, peut causer des interférences nuisibles aux communications radio. Cependant, il n'y a aucune garantie que des interférences ne se produiront pas dans une installation particulière. Si cet équipement provoque des interférences nuisibles à la réception de la radio ou de la télévision, ce qui peut être déterminé en éteignant et en rallumant l'appareil, l'utilisateur est encouragé à essayer de corriger les interférences en prenant une ou plusieurs des mesures suivantes :

- Réorienter ou déplacer l'antenne de réception.
- Augmenter la distance entre l'équipement et le récepteur.
- Brancher l'équipement dans une prise sur un circuit différent de celui auquel le récepteur est connecté.
- Demander de l'aide au revendeur ou à un technicien radio/TV expérimenté.

### Énonce FCC sur l'exposition aux radiations RF, DAS

Cet appareil est conçu et fabriqué pour ne pas dépasser les limites d'émission pour l'exposition à l'énergie de radiofréquence (RF) fixées par la Federal Communications Commission du gouvernement des États-Unis.

La norme d'exposition pour les appareils sans fil utilise une unité de mesure appelée Débit d'absorption spécifique, ou DAS. La limite DAS fixée par la FCC est de 1,6 W/kg. Les tests pour le SAR sont effectués à l'aide de positions de fonctionnement normalisées acceptées par la FCC, l'appareil transmettant à son niveau de puissance certifié le plus élevé dans une bande de fréquences testée.

Pour maintenir la conformité aux exigences de la FCC en matière d'exposition aux radiofréquences.

La somme maximale des DAS était de : 0,90 W/Kg 1 g de DAS corporel pour les GMM, 0,61 W/Kg 1 g de DAS corporel pour les HXD2, 0,48 W/Kg 1 g de DAS corporel pour les PXD2.

**AVERTISSEMENT** : La batterie (batterie ou les batteries ou le bloc de batteries) ne doit pas être exposée à une chaleur excessive comme le soleil, un feu ou équivalent.

Par la présente, Samson Technologies Corp., déclare que ce système sans fil Go Mic Mobile est conforme aux exigences essentielles et autres dispositions pertinentes de la directive 2014/53/CE. Cette déclaration de conformité peut être consultée à l'adresse :

[http://www.samsontech.com/site\\_media/support/manuals/GMM\\_DOC.pdf](http://www.samsontech.com/site_media/support/manuals/GMM_DOC.pdf)

# Introduction

Merci d'avoir acheté le système sans fil Samson Go Mic Mobile de Samson. Le Go Mic Mobile est un double système sans fil conçu pour fournir un son de qualité professionnelle pour la vidéo mobile. Jumelez et mixez deux émetteurs au récepteur Go Mic Mobile et transformez votre appareil mobile en studio de production vidéo complet. C'est la solution idéale pour les journalistes de terrain, les réalisateurs de films, les vidéastes ou tous ceux qui souhaitent ajouter l'audio sans fil à leurs projets vidéo.

Le Go Mic Mobile comprend tous les câbles nécessaires pour connecter le récepteur Go Mic Mobile (GMM) à un smartphone ou un appareil photo numérique (avec une entrée audio). Le Go Mic Mobile fonctionne avec les périphériques iOS, Android, Mac OS et Windows. Les bras de fixation verrouillables permettent de monter le récepteur Go Mic Mobile directement à l'arrière d'un smartphone, hors du champ de vision de l'objectif du téléphone. Les bras peuvent être retirés pour fixer le récepteur à une tablette (à l'aide des bandes de suspension fournies) ou à un appareil photo à l'aide de l'adaptateur de montage sur patin fourni.

Ces pages vous présentent une description détaillée des caractéristiques du système sans fil Go Mic Mobile, ainsi que des instructions pas-à-pas d'installation et d'utilisation et les spécifications. Si vous avez acheté votre système sans fil aux États-Unis, une carte d'inscription vous est fournie. Vous trouverez également des informations sur la façon d'enregistrer votre produit en ligne afin de bénéficier du support technique en ligne, et pour que nous puissions vous envoyer des informations à jour à ce sujet et d'autres produits Samson à l'avenir. De même, assurez-vous de consulter notre site Web ([www.samsontech.com](http://www.samsontech.com)) pour en savoir plus sur notre ligne complète de produits.

Nous vous recommandons de conserver les informations suivantes pour référence, ainsi que la copie de votre facture.

Numéro de série de l'émetteur et du récepteur : \_\_\_\_\_

Date d'achat : \_\_\_\_\_

Pour toute question ou commentaire sur le système de microphone sans fil Go Mic Mobile ou sur tout autre produit Samson, n'hésitez pas à nous contacter par email à [support@samsontech.com](mailto:support@samsontech.com).

En l'entretenant et en l'utilisant correctement, vous bénéficierez de votre système sans fil Go Mic Mobile pendant de nombreuses années. Si votre système sans fil Go Mic Mobile doit être réparé, vous devez demander un numéro RA (Autorisation de retour, Return Authorization) avant d'expédier votre appareil à Samson. Sans ce numéro, l'unité ne sera pas acceptée. Veuillez visiter le site Web [www.samsontech.com/ra](http://www.samsontech.com/ra) afin d'obtenir un numéro RA avant d'expédier votre appareil. Veuillez conserver les éléments d'emballage d'origine et, si possible, retourner l'appareil dans son carton d'origine. Si vous avez acheté votre système sans fil Go Mic Mobile en dehors des États-Unis, contactez votre distributeur local pour en savoir plus sur la garantie et les services d'entretien.

## Chargement de la batterie du récepteur du Go Mic Mobile

Le récepteur Go Mic Mobile possède une batterie interne au lithium-ion rechargeable. Le récepteur est chargé via la prise Mini USB située sur le côté du récepteur.

Pour charger le récepteur, utilisez le câble de chargement USB et l'adaptateur secteur inclus. Le chargement peut également être effectué avec des adaptateurs CA 5V de tiers ou en connectant les unités à un port USB standard de l'ordinateur.

La durée totale de la charge complète est de 3 heures si vous utilisez un chargeur rapide ou un port USB à charge rapide (avec un symbole de foudre à côté), mais si vous êtes connecté à un "port USB d'ordinateur standard", cela prendra 10 heures. La durée de fonctionnement maximale d'une batterie pleine est d'environ 7 à 13 heures.

Remarque : Le récepteur Go Mic Mobile ne se recharge pas à partir du port Micro USB, le niveau de la batterie diminuera donc s'il est branché sur un ordinateur. Si vous voulez mettre le récepteur sous tension pendant qu'il est connecté à un appareil, vous devez également connecter le port Mini USB à l'ordinateur ou à l'adaptateur secteur.

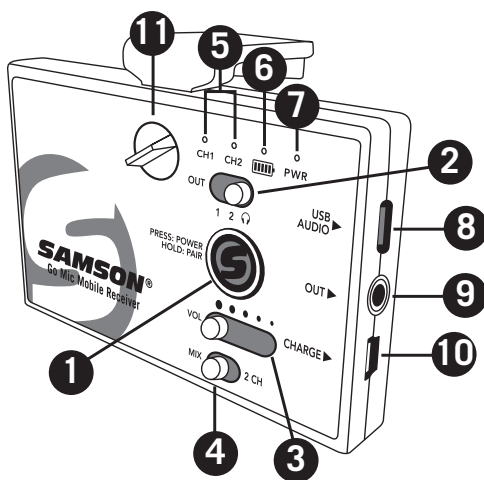
### **Tirer le meilleur parti de la batterie rechargeable :**

- Chargez complètement les batteries avant la première utilisation
- Chargez complètement la batterie avant de l'utiliser.
- Une fois la batterie chargée, débranchez l'adaptateur de la prise de courant.
- La plage de température optimale d'utilisation et de stockage de la batterie est de 50°F - 86°F (10°C - 30°C). Les performances et le fonctionnement de la batterie peuvent diminuer à des températures inférieures à 50°F (10°C).
- Pour prolonger l'autonomie de la batterie, éteignez le récepteur Go Mic Mobile lorsque vous ne l'utilisez pas.



## Légendes du récepteur Go Mic Mobile (GMM)

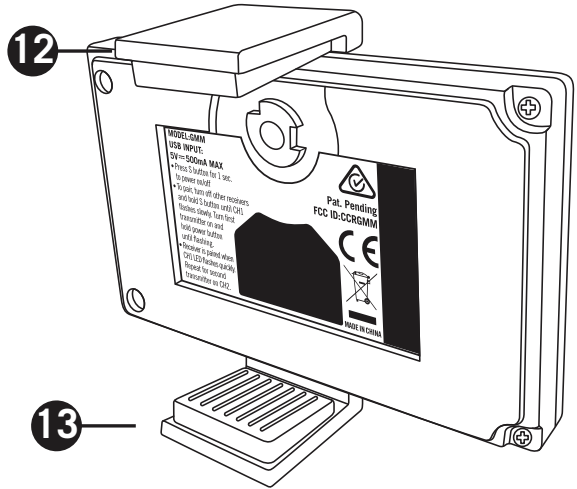
1. **Touche Power/Pair** - Appuyez sur la touche et maintenez-la enfoncée pendant 5 secondes pour mettre l'unité sous et hors tension. Maintenez-la enfoncée pendant plus de 5 secondes pour entrer en mode d'appariement. Remarque : Le récepteur et l'émetteur Go Mic Mobile sont préconfigurés en usine.
2. **Commutateur de sélection de sortie analogique** - Règle le câblage de la sortie analogique. Les positions OUT 1 & 2 permettent de se connecter à l'entrée casque TRRS d'un smartphone. La sortie Headphone/Line (Casque/Ligne) permet de connecter le récepteur à une caméra, un mixeur ou un casque.
3. **Commande VOL** - Ce curseur règle le niveau du signal audio envoyé aux sorties numériques et analogiques du récepteur.
4. **Commutateur MIX / 2 CH** - Règle la sortie audio du récepteur sur mono mixte ou le divise à gauche et à droite.
5. **Témoins CH 1 et CH 2** - Lorsqu'allumées en blanc, les LED indiquent que le récepteur est apparié à un émetteur. Lorsque l'entrée de l'émetteur ou la sortie du récepteur est coupée, les LED clignotent en rouge.
6. **Indicateur de niveau de batterie** - Cet indicateur s'allume en vert lorsque la batterie est chargée, en rouge lorsque la batterie est faible et en orange lorsque la batterie se charge.
7. **Voyant d'alimentation** - Ce voyant s'allume en vert lorsque le récepteur mobile Go Mic est sous tension.
8. **Sortie AUDIO USB** - Utilisez cette sortie lors de la connexion à une entrée audio numérique.
9. **Prise OUT** - Utilisez cette prise de 3,5 mm pour connecter une entrée analogique ou un casque.
10. **Port USB CHARGE** - Utilisez cette mini prise USB pour connecter le récepteur Go Mic Mobile à l'adaptateur secteur fourni pour charger la batterie interne du récepteur.
11. **Vis de verrouillage** - Tourner à gauche pour desserrer la vis et ajuster le bras de montage. Tourner à droite pour verrouiller le bras de montage.



## Légendes du récepteur Go Mic Mobile (GMM)

### 12. Bras de montage réglable

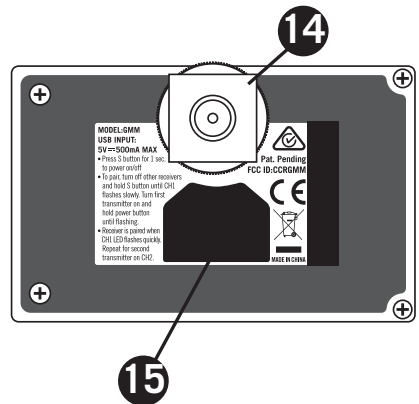
- Ce bras de montage est ajustable pour fixer le récepteur GMM sur un smartphone. Pour procéder au réglage, desserrez la vis de verrouillage située sur le dessus du récepteur GMM. Pour fixer le bras en place, serrez la vis de verrouillage. Remarque : Le bras de montage réglable peut être retiré en desserrant la vis de verrouillage, en faisant glisser le bras en position fermée, puis en dévissant complètement la vis de verrouillage avant de la retirer. Faites maintenant glisser le bras de montage hors du récepteur GMM et remplacez la vis de verrouillage.



**13. Bras de montage fixe** - Ce bras de montage fixe permet de fixer le récepteur GMM sur un trépied de caméra standard. Un adaptateur 1/4"-20 est inclus pour le montage du GMM sur un trépied de caméra standard. Pour retirer le bras de montage fixe, dévissez les deux vis cruciformes.

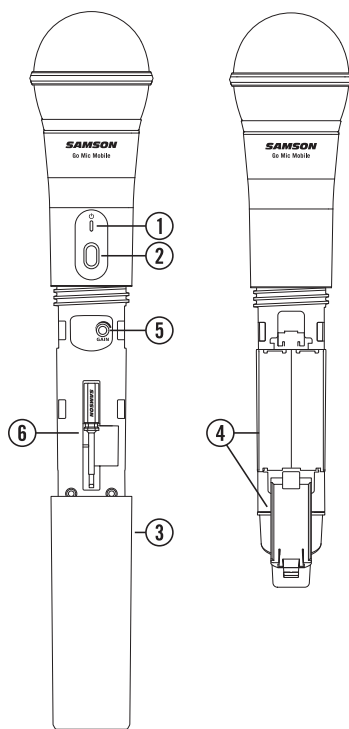
**14. Adaptateur pour griffe** - Cet adaptateur amovible est utilisé pour fixer le récepteur GMM sur un appareil photo ou un boîtier de prise de vue mobile.

**15. Zone de crochet et de boucle** - Utilisez les boucles et crochets auto-adhésifs fournis pour fixer le GMM sur une tablette. Avant de fixer le GMM à une tablette, retirez les bras de montage standard et/ou l'adaptateur pour griffe.



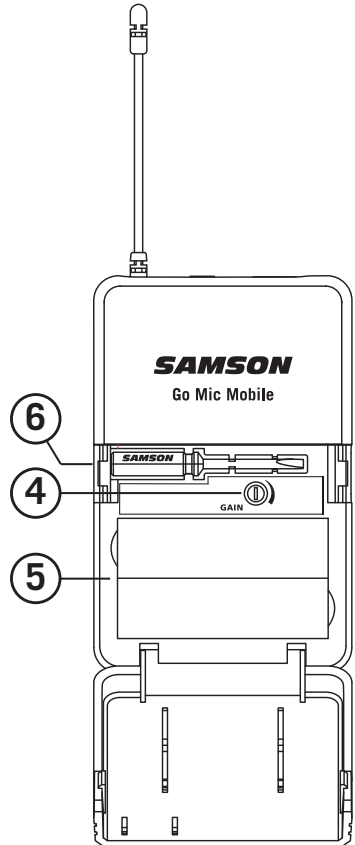
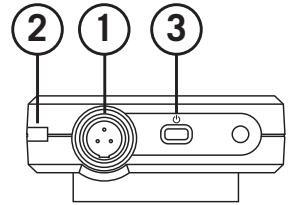
### Légendes de l'émetteur de poche HXD2

- 1. Indicateur d'état** - Ce voyant affiche le mode de fonctionnement.
- 2. Touche Power/Pair** - Appuyez sur la touche pendant moins de 5 secondes pour mettre l'unité sous et hors tension. Appuyez plus de >5 secondes pour accéder au mode d'appariement.
- 3. Couvercle de batterie** - Dévissez le couvercle de la batterie et ouvrez le compartiment de la batterie du Go Mic Mobile de poche.
- 4. Support de batterie** - Ouvrez le support de batterie en appuyant sur la languette et en levant le couvercle. Insérez deux piles AA standard (LR6) ici, en vous assurant d'observer les repères de polarité plus et moins indiqués.  
**AVERTISSEMENT** : N'insérez pas les piles vers l'arrière ; cela peut provoquer de graves dommages au récepteur et annulera votre garantie.
- 5. Commande de GAIN d'entrée** - Cette commande ajuste la sensibilité d'entrée de l'émetteur. Cette commande de sensibilité d'entrée a été pré-réglée en usine pour fournir un niveau optimal pour la capsule microphonique fournie avec le système Go Mic Mobile et nous recommandons donc de ne pas la régler manuellement. Si nécessaire, vous pouvez toutefois utiliser le tournevis plastique fourni pour augmenter ou diminuer le niveau d'entrée.
- 6. Tournevis en plastique** - Permet de régler la commande GAIN d'entrée.



## Légendes de l'émetteur de ceinture PXD2

1. **Connecteur d'entrée** - Raccordez le dispositif d'entrée via le connecteur mini-XLR. Le PXD2 est fourni avec un microphone cravate.
2. **Indicateur d'état** - Ce voyant affiche le mode de fonctionnement
3. **Touche Power/Pair** - Appuyez sur la touche pendant plus de 5 secondes pour mettre l'unité sous et hors tension. Appuyez plus de >5 secondes pour accéder au mode d'appariement.
4. **Commande de GAIN d'entrée** - Cette commande ajuste la sensibilité d'entrée de l'émetteur.
5. **Support de batterie** - Insérez deux piles AA standard (LR6) ici, en vous assurant d'observer les repères de polarité plus et moins indiqués.  
**AVERTISSEMENT** : N'insérez pas les piles vers l'arrière ; cela peut provoquer de graves dommages au système PXD2 et annulera votre garantie.
6. **Tournevis en plastique** - Permet de régler la commande GAIN d'entrée.



# Démarrage - Appariement

Le système Go Mic Mobile est apparié en usine. Si, pour une raison quelconque, vous devez appairer à nouveau le système, exécutez les étapes suivantes :

1. Allumez le récepteur Go Mic Mobile (GMM) et l'émetteur Go Mic Mobile en appuyant sur les touches Power/Pair pendant moins de 5 secondes.
2. Sur le GMM, appuyez sur la touche Power/Pair et maintenez-la enfoncée pendant plus de 5 secondes. La DEL CH1 commence à clignoter lentement.
3. Sur l'émetteur Go Mic Mobile, appuyez sur la touche Power/Pair et maintenez-la enfoncée pendant plus de 5 secondes. La DEL de l'émetteur commence à clignoter lentement.
4. Lorsque le récepteur et l'émetteur sont appariés, les DEL clignotent rapidement et l'émetteur s'allume en vert fixe et la LED GMM CH 1 s'allume en blanc fixe. Le témoin lumineux CH2 du récepteur mobile du système Go Mic commence à clignoter lentement.
5. Pour appairer un second émetteur, maintenez enfoncée la touche Power/Pair du second émetteur pendant plus de 5 secondes. La DEL de l'émetteur commence à clignoter lentement. Lorsque le récepteur et l'émetteur sont appariés, les DEL clignotent rapidement et le voyant du deuxième émetteur s'allume en vert fixe et le voyant CH2 du GMM s'allume en blanc fixe.  
Remarque : Si vous ne souhaitez pas appairer un second émetteur, le récepteur s'éteint au bout de 20 secondes.
7. Pour appairer à nouveau les émetteurs appariés avec le récepteur Go Mic Mobile, appuyez sur la touche Power/Pair du récepteur et maintenez-la enfoncée pendant plus de 5 secondes. Le récepteur efface les émetteurs appariés actuels et entre en mode d'appariement. Si aucun émetteur n'est apparié avec le récepteur, le GMM s'éteint et revient à l'état d'appariement précédent.

**Remarque : Lors de l'appariement de votre système Go Mic Mobile, assurez-vous qu'un seul récepteur GMM est allumé et qu'un seul microphone est en mode d'appariement à la fois.**

## Démarrage - Connexions audio

Le Go Mic Mobile peut être connecté à un smartphone en utilisant la sortie numérique Micro USB ou une sortie analogique de 3,5 mm.

### **Connexion à un dispositif iOS (iPhone, iPad ou iPod Touch)**

A l'aide d'un câble Micro USB vers Lightning inclus, connectez le câble à la prise de sortie audio USB du GMM au connecteur Lightning de l'appareil iOS. Une fois connecté, le périphérique iOS reconnaîtra le Go Mic Mobile comme périphérique d'entrée audio.

Ouvrez un enregistrement ou une application vidéo et lancez l'enregistrement.

*Remarque : Il est recommandé de mettre votre appareil iOS en mode Ne pas déranger ou en mode Avion pour éviter que l'enregistrement vidéo ou audio ne soit interrompu par un appel téléphonique. Laissez le mode Avion désactivé pour conserver les informations de géolocalisation sur vos fichiers vidéo.*

### **Connexion à un appareil Android avec sortie audio numérique**

Go Mic Mobile offre une compatibilité audio numérique avec les périphériques Android 5.0 (Lollipop) ou ultérieurs qui permettent une connectivité audio numérique USB. Toutes les applications Android ne prennent pas en charge l'audio USB, et vous devrez peut-être télécharger une application tierce pour utiliser cette fonctionnalité. Pour vous connecter à l'aide de la prise de sortie audio USB, assurez-vous que votre appareil Android peut accepter une entrée audio numérique. En utilisant le câble Micro USB vers USB type-C ou Micro USB vers Micro USB, connectez le câble à la sortie audio Micro USB du GMM et à l'entrée USB de l'appareil mobile Android.

### **Connexion à un appareil mobile avec sortie audio analogique**

Si votre appareil mobile n'accepte pas l'entrée audio numérique, le GMM peut être connecté à l'aide de la sortie analogique de 3,5 mm. Lors de la connexion à un smartphone, vous devrez régler le commutateur de sélection de sortie analogique sur Out 1 ou Out 2. Pour la plupart des smartphones, la position Out 1 (CTIA / AHJ) est la position appropriée. Si votre appareil mobile utilise le câblage OMTP pour l'entrée, utilisez la position Out 2. Pour plus d'informations sur le câblage des smartphones visitez le site Web [www.samsontech.com/support/go-mic-mobile](http://www.samsontech.com/support/go-mic-mobile)

### **Connexion à un appareil photo reflex numérique, une caméra de cinéma ou un mixeur**

Lorsque vous connectez le GMM à un appareil photo reflex numérique, une caméra de cinéma ou un mixeur, utilisez la sortie audio analogique de 3,5 mm incluse. Réglez le sélecteur de sortie sur le réglage Ligne/Casque.

### **Surveillance avec le système Go Mic Mobile**

La sortie de 3,5 mm du GMM peut être utilisée pour contrôler le signal audio transmis au récepteur. La sortie casque suit le réglage du commutateur MIX / 2 CH. Le niveau du casque est contrôlé par le curseur de sortie VOL et suit le niveau de sortie de la sortie audio USB.

### Démarrage - Réglage du volume du système

Un bon son peut améliorer de manière significative une vidéo mal tournée, mais un mauvais son peut altérer n'importe quelle vidéo. Afin d'obtenir les meilleurs résultats lors de l'ajout d'audio à la vidéo avec le Go Mic Mobile, il est important de prêter attention à l'étage du gain des émetteurs et du récepteur. Si le signal est trop élevé, il peut se saturer ou se déformer. Inversement, si le signal est trop faible, vous devrez l'augmenter en post-production, ce qui peut ajouter du bruit de fond.

Les DEL CH 1 et CH2 du récepteur GMM comportent une indication de crête ou de surcharge lorsque l'entrée du récepteur (signal envoyé par l'émetteur) est surchargée. Pour régler le niveau des émetteurs, pendant que vous parlez dans l'émetteur mobile Go Mic, tournez la commande de gain (à l'intérieur du compartiment des piles) vers le haut jusqu'à ce que vous atteigniez un bon niveau d'enregistrement. Si le voyant CH correspondant clignote en rouge, tournez la commande de gain vers le bas jusqu'à ce que le voyant clignote en rouge ou qu'il s'allume occasionnellement pendant les signaux très forts.

Lorsque le niveau de l'émetteur est réglé, effectuez un enregistrement test pour régler le niveau du récepteur GMM. Si l'application d'enregistrement possède un compteur d'entrée, réglez la commande VOL du récepteur GMM jusqu'à ce que le compteur soit le plus près possible de 0 dB (ou clip) sans le dépasser.

*Remarque : La commande VOL du récepteur n'affecte pas le réglage de gain de l'émetteur. Par exemple, si les émetteurs envoient un signal déformé, la baisse du volume du récepteur ne corrigera pas l'audio, elle ne fera qu'abaisser le niveau global du signal déformé.*

### Commutateur MIX / 2 CH

Le récepteur GMM peut être apparié avec deux émetteurs pour l'audio provenant de deux sources sonores indépendantes. Le commutateur MIX / 2 CH sélectionne la façon dont l'audio sera envoyé aux sorties audio du récepteur.

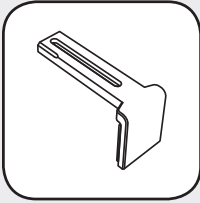
En position MIX, les deux canaux sont mixés en mono sur les pistes audio gauche et droite.

En position 2 CH, l'émetteur CH 1 est sur le canal audio gauche et l'émetteur CH 2 est sur le canal audio droit. En mode 2 CH, les entrées peuvent chacune être acheminées vers une piste différente dans un logiciel d'enregistrement informatique en créant des pistes individuelles à partir de l'entrée gauche et droite, ou en séparant l'audio stéréo d'un enregistrement vidéo pour éditer les canaux séparément en post-production.

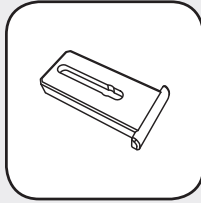
Le commutateur MIX / 2 CH mélange l'audio avant les sorties audio audio du récepteur GMM. Il n'y a aucun changement de logiciel à l'application de tournage ou d'enregistrement sur un smartphone, un appareil photo ou un ordinateur.

# Instructions de montage du Go Mic Mobile

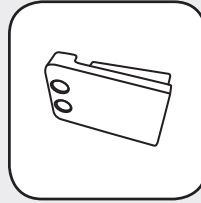
## Montage des accessoires



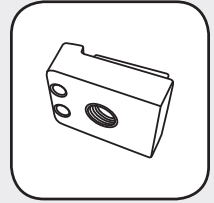
Bras de montage  
réglable



Pièce de  
recouvrement



Bras de montage



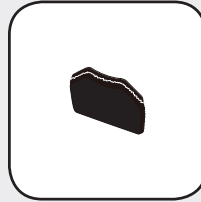
Bras de montage  
1/4"-20



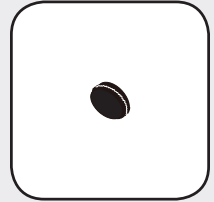
Adaptateur pour  
griffe



Vis à ailettes



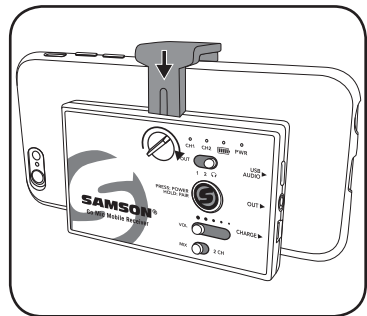
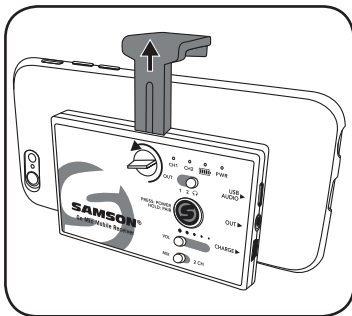
Grande section de  
crochet et boucle



Petite section de  
crochet et boucle

## Montage sur un smartphone

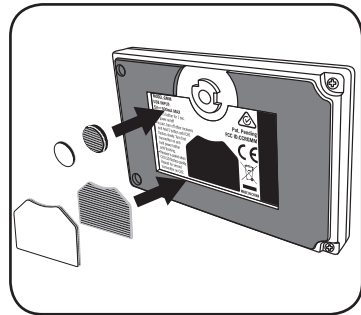
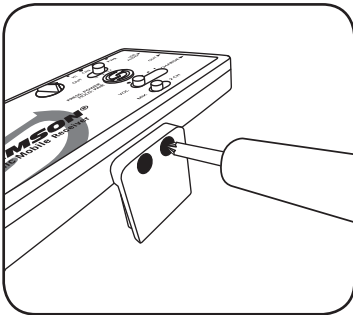
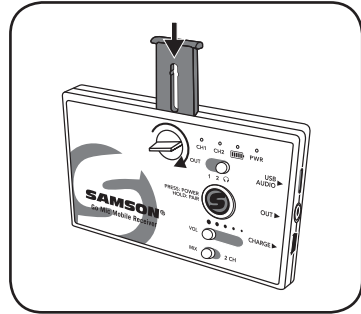
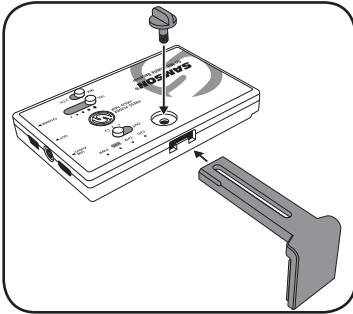
1. Desserrez la vis de verrouillage jusqu'à ce que le bras de montage réglable puisse être déplacé.
2. Positionnez le récepteur à l'arrière du smartphone.
3. Faites glisser le bras de montage réglable de façon à ce qu'il soit bien serré contre le bord du smartphone.
4. Appliquez une pression sur le bras de montage ajustable et serrez la vis de verrouillage.





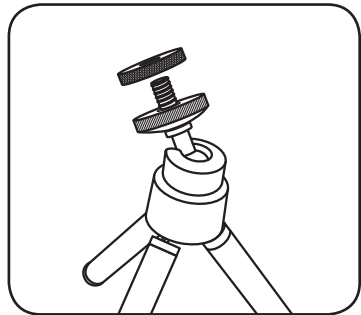
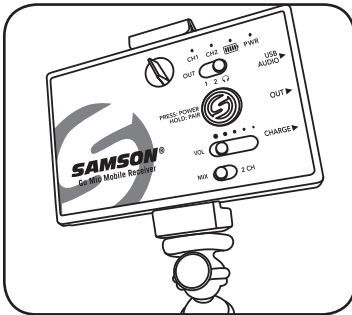
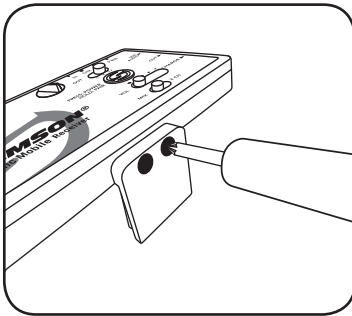
## Montage sur une tablette

1. Desserrez complètement et retirez la vis de verrouillage.
2. Faites glisser et retirez le bras de montage réglable.
3. Faites glisser le couvercle dans le récepteur et serrez la vis de verrouillage.
4. Retirez le bras de montage fixe, dévissez les deux vis cruciformes.
5. Fixez la grande pièce de crochet et de boucle en enlevant l'adhésif du côté du crochet et en plaçant la grande de crochet et de boucle sur l'arrière du récepteur mobile Go Mic.
6. Retirez le dos de la boucle et placez le récepteur à l'arrière de la tablette.
7. Appuyez le récepteur mobile Go Mic Mobile contre la tablette pour le fixer.
8. Si le récepteur mobile Go Mic Mobile n'est pas sécurisé, utilisez la petite section supplémentaire crochet et boucle...



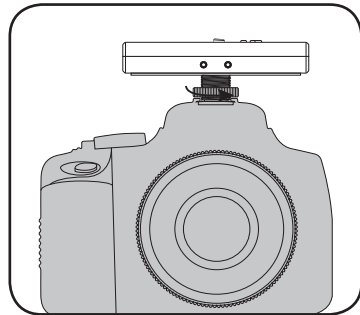
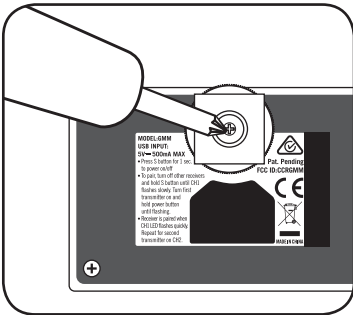
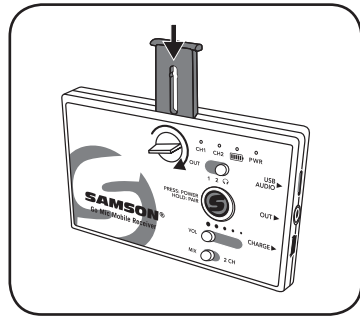
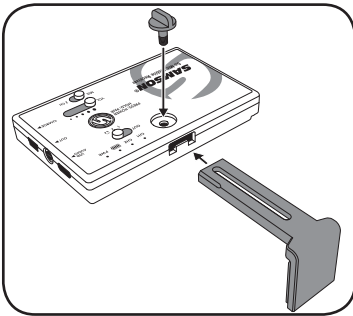
## Montage sur un trépied

1. Fixez le bras de montage 1/4"-20 au récepteur mobile Go Mic en enlevant d'abord le bras de montage fixe à l'aide des deux vis cruciformes.
2. Fixez le GMM au trépied en suivant les instructions de montage du trépied.
3. Si le goujon de montage du trépied 1/4 "-20 est plus long que 3/8", utilisez la vis à ailettes fournie avant de monter le récepteur mobile Go Mic sur le trépied.
4. Montez le smartphone sur le récepteur mobile Go Mic en suivant les instructions de la section "**Montage sur un Smartphone**".



## Fixation sur un adaptateur à griffe

1. Retirez le bras de montage fixe en dévissant les deux vis.
2. Le bras de montage réglable peut être retiré en desserrant la vis de verrouillage, en faisant glisser le bras en position fermée, puis en dévissant complètement la vis de verrouillage avant de la retirer.
3. Faites glisser le bras de montage hors du récepteur. Remplacez le bras de montage ajustable par la pièce de recouvrement.
4. Remplacez la vis de verrouillage
5. Placez l'adaptateur de montage de griffe fourni au bas récepteur Mobile Go Mic, notez que l'adaptateur de support de griffe est verrouillé pour qu'il reste en position lorsqu'il est fixé au récepteur.
6. A l'aide d'un tournevis cruciforme, fixez l'adaptateur de montage sur le récepteur en serrant la vis fournie.
7. Faites glisser le récepteur GMM dans le support à griffe du dispositif de connexion.
8. Une fois positionné, serrez la grande vis à ailettes sur le support à griffe du récepteur pour la maintenir en place.



## Spécifications

### Système sans fil Go Mic Mobile

Plage de fonctionnement	100' (30m) ligne de mire
Fréquence de fonctionnement	2,406 ~ 2,478 GHz
Réponse en fréquence	10 Hz - 22 KHz
Température de fonctionnement	-10°C ~ +50°C
Version du microprogramme	V1.0
Version matérielle	V1.0
Signal sur bruit	micro 90 dB (A) à un gain minimum micro 78 dB (A) à un gain maximum
Accessoires	Câble Micro USB vers Lightning, Câble Micro USB vers Micro USB, Câble Micro USB vers USB-C, Câble Mini-B USB vers USB-A, câble audio de 3,5 mm, adaptateur de support à griffe

### Récepteur GMM

Niveau de sortie audio analogique maximum	+6 dBu, = 4.4 Vpp, = 70 mW par côté dans 32 Ω
Taux d'échantillonnage audio USB	48 kHz
Prise en charge audio USB	Windows, Mac OS, iOS, Android, Linux
Durée de vie de la batterie	7 – 13 heures en fonction de l'utilisation
Alimentation	Batterie interne rechargeable au lithium-ion
Tension de fonctionnement	5 V CC 500 mA

### Émetteur de poche HXD2

Type de microphone	Unidirectionnel
Puissance RF	10 mW EIRP
Puissance nécessaire	Deux piles alcalines AA (LR6)
Durée de vie de la pile	20 heures

### Émetteur de ceinture PXD2

Connecteur d'entrée	Mini-XLR (P3)
Puissance RF	10 mW EIRP
Puissance nécessaire	Deux piles alcalines AA (LR6)
Durée de vie de la pile	20 heures

*Chez Samson, nous améliorons en permanence nos produits, par conséquent, les spécifications et les images sont susceptibles d'être modifiées sans préavis.*

## **Déclaration**

"Made for iPod", "Made for iPhone" et "Made for iPad" signifient qu'un accessoire électronique a été conçu pour se connecter spécifiquement à l'iPod, iPhone ou iPad, respectivement, et a été certifié par le développeur pour répondre aux normes de performance Apple. Apple n'est pas responsable du fonctionnement de cet appareil ni de sa conformité aux normes de sécurité et réglementaires. Veuillez noter que l'utilisation de cet accessoire avec iPod, iPhone ou iPad peut affecter les performances sans fil.

iPad, iPhone et iPod touch sont des marques de commerce d'Apple Inc. enregistrées aux États-Unis et dans d'autres pays. iPad Air et iPad mini sont des marques de commerce d'Apple Inc. La marque de commerce "iPhone" est utilisée avec une licence Aiphone K. K.

Made for

iPhone 7 Plus, iPhone 7, iPhone SE, iPhone 6s Plus, iPhone 6s, iPhone 6 Plus, iPhone 6, iPhone 5s, iPhone 5c, iPhone 5

iPad Pro (9.7-inch), iPad Pro (12.9-inch), iPad mini 4, iPad Air 2, iPad mini 3, iPad Air, iPad mini 2, iPad mini, iPad (4<sup>e</sup> génération)

iPod touch (6<sup>e</sup> génération), iPod touch (5<sup>e</sup> génération)

## Wichtige Sicherheitshinweise



**ACHTUNG  
RISQUE D'ÉLECTROCUTION !  
NE PAS OUVRIR !**

ACHTUNG: NEHMEN SIE NIEMALS FRONTBLLENDE ODER RÜCKWAND AB, UM STROMSCHLÄGE ZU VERMEIDEN. IM INNEREN DES GERÄTS BEFINDEN SICH KEINE VOM ANWENDER ZU WARTENDEN TEILE. ÜBERLASSEN SIE WARTUNGS- UND REPARATURARBEITEN QUALIFIZIERTEN FACHKRÄFTEN.



Das Dreieck mit dem Blitz-Pfeil-Symbol soll den Anwender darauf hinweisen, dass nicht isolierte „gefährliche Spannung“ im Gerätegehäuse vorhanden ist und diese u. U. ein Stromschlagrisiko darstellt.



Das Dreieck mit dem Ausrufezeichen soll für den Anwender wichtige Hinweise zu Betrieb und Wartung des Geräts hervorheben.

### WARNUNG

UM FEUER UND STROMSCHLÄGE ZU VERMEIDEN, VERWENDEN SIE DIESEN STECKER NICHT ZUSAMMEN MIT VERLÄNGERUNGSKABELN, ADAPTERN ODER STECKDOSEN, BEI DENEN DIE POLE NICHT VOLLSTÄNDIG EINGEFÜHRT WERDEN KÖNNEN. UM FEUER UND STROMSCHLÄGE ZU VERMEIDEN, DÜRFEN SIE DAS SYSTEM WEDER REGEN NOCH FEUCHTIGKEIT AUSSETZEN. STECKEN SIE DEN BREITEN POL GANZ IN DEN BREITEN SCHLITZ, UM STROMSCHLÄGEN VORZUBEUGEN.



Entsorgen Sie dieses Gerät nach Ende seiner Nutzungsdauer bitte nicht als Restmüll. Nutzen Sie bitte die in Ihrer Region bestehenden Entsorgungsmöglichkeiten (Sammelsystem) für Elektronikprodukte. Mit einer fachgerechten Entsorgung ermöglichen Sie ordnungsgemäße Handhabung, Aufbereitung und Wiederverwendung gemäß den gesetzlichen Bestimmungen.

Privathaushalte in den 28 Mitgliedsstaaten der EU, in der Schweiz und in Norwegen können gebrauchte elektronische Geräte kostenlos in den dafür vorgesehenen Sammelstellen oder beim Einzelhändler (bei Kauf eines anderen Neugeräts) abgeben.

In allen anderen als den genannten Ländern wenden Sie sich zwecks ordnungsgemäßer Entsorgung bitte an die für Ihren Wohnort zuständige Behörde.

So gehen Sie sicher, dass das von Ihnen entsorgte Produkt ordnungsgemäß gehandhabt, aufgearbeitet oder recycelt wird, und leisten einen wichtigen Beitrag zum Schutz von Umwelt und Gesundheit.

## Wichtige Sicherheitshinweise

1. Lesen Sie diese Anleitung.
2. Bewahren Sie diese Anleitung gut auf.
3. Beachten Sie sämtliche Warnhinweise.
4. Befolgen Sie sämtliche Anweisungen.
5. Nehmen Sie dieses System nicht in der Nähe von Wasser in Betrieb.
6. Reinigen Sie es ausschließlich mit einem trockenen Tuch.
7. Achten Sie darauf, Belüftungsöffnungen nicht zu blockieren. Stellen Sie das System den Anweisungen des Herstellers entsprechend auf.
8. Stellen Sie das System nicht in der Nähe von Wärmequellen wie Heizstrahlern, Wärmespeichern, Öfen oder anderen Wärme erzeugenden Geräten (auch nicht Verstärkern) auf.
9. Setzen Sie auf keinen Fall die Schutzfunktion des verpolsicherten Steckers oder Schutzkontaktsteckers außer Kraft. Ein verpolsicherer Stecker besitzt zwei Kontakte, von denen einer breiter als der andere ist. Ein Schutzkontaktstecker besitzt zwei Kontakte und einen Kontaktstift für die Erdung. Der breite bzw. dritte Kontakt schützt den Anwender. Falls der mitgelieferte Stecker nicht in die Steckdose an Ihrem Standort passt, lassen Sie die Steckdose von einem qualifizierten Elektriker durch eine neue ersetzen.
10. Vermeiden Sie es, auf das Netzkabel zu treten oder dieses anderweitig einzuklemmen. Dies gilt insbesondere für Stecker und Steckdosen und die Stelle, an der das Kabel aus dem Gerät herausragt.
11. Verwenden Sie nur die vom Hersteller zugelassenen Anbauteile und Zubehörprodukte.
12. Verwenden Sie nur dann ein Gehäuse auf Rollen, ein Stativ oder einen Tisch, wenn dies laut Hersteller zulässig ist oder zum Lieferumfang des Geräts gehört. Wenn Sie einen Rollwagen verwenden, seien Sie äußerst vorsichtig, wenn Sie den Wagen samt Gerät verschieben. Wenn der Wagen umkippt, kann es zu Verletzungen kommen.
13. Ziehen Sie den Netzstecker des Geräts aus der Steckdose, wenn ein Gewitter aufzieht oder das Gerät voraussichtlich für längere Zeit ungenutzt bleibt.
14. Überlassen Sie sämtliche Wartungs- und Reparaturarbeiten ausschließlich entsprechend qualifizierten Fachkräften. Eine Reparatur ist erforderlich, wenn das Gerät beschädigt wurde (z. B. Beschädigung von Stromkabel oder Stecker, Benetzen mit Flüssigkeit oder Hineinfallen von Gegenständen in das Gerät; außerdem auch, wenn das Gerät Regen oder Feuchtigkeit ausgesetzt wurde, nicht ordnungsgemäß funktioniert oder fallen gelassen wurde).
15. Auf das im Folgenden beschriebene Gerät darf Flüssigkeit weder tropfen noch spritzen. Stellen Sie daher keine Flüssigkeit enthaltenden Gefäße (z. B. Vasen) auf dem Gerät ab.
16. Achtung – Stecken Sie den breiten Pol ganz in den breiten Schlitz, um Stromschlägen vorzubeugen.
17. Sorgen Sie im Bereich des gesamten Systems für gute Belüftung.
18. Der Netzstecker wird als Trennvorrichtung verwendet; die Trennvorrichtung muss stets erreichbar und bedienbar sein.
19. Batterien (Akkupacks oder fest installierte Batterien) dürfen niemals großer Hitze wie direktem Sonnenlicht, Feuer oder ähnlichem ausgesetzt werden.



## Wichtige Sicherheitshinweise

### Hinweis zu den FCC-Richtlinien

1. Dieses Gerät erfüllt Teil 15 der FCC-Richtlinien. Dem Betrieb zugrunde liegen die folgenden beiden Bedingungen:
  - (1) Dieses Gerät darf keine gefährlichen Interferenzen verursachen.
  - (2) Dieses Gerät muss Interferenzen jeder Art aushalten können, auch solche, die den Betrieb in unerwünschter Weise beeinträchtigen können.
2. An- und Umbauten, die von der für die Konformität verantwortlichen Behörde nicht ausdrücklich genehmigt wurden, können nach sich ziehen, dass der Benutzer die Berechtigung zur Inbetriebnahme des Systems verliert.

### Erklärung zur Konformität mit den FCC-Richtlinien

Das System wurde geprüft und entspricht der Produktklasse B gemäß Teil 15 der FCC-Richtlinien mit den Grenzwerten für digitale Geräte. Diese Grenzwerte sollen einen angemessenen Schutz gegen Störungen in privat genutzten Wohnungen bieten.

Dieses Gerät erzeugt und nutzt Hochfrequenzenergie und kann diese auch abstrahlen. Wenn das Gerät nicht gemäß den Anweisungen aufgestellt und eingesetzt wird, können unerwünschte Interferenzen mit Funkwellen die Folge sein. Es besteht jedoch keine Garantie, dass bei einer bestimmten Aufstellweise nicht doch Störungen auftreten. Falls dieses Gerät keine gefährlichen Interferenzen mit Empfangsgeräten für Rundfunk und Fernsehen verursacht (dies lässt sich durch Aus- und Wiedereinschalten des Geräts feststellen), kann der Benutzer selbst die Interferenz mit Hilfe einer der folgenden Maßnahmen korrigieren:

- Ausrichtung oder Position der Empfangsantenne verändern
- Abstand zwischen Gerät und Empfänger vergrößern
- Das Gerät an eine Steckdose anschließen, an deren Stromkreis nicht auch der Empfänger hängt
- Den Händler oder einen erfahrenen Radio-/Fernsehtechniker zurate ziehen

### Erklärung zur Belastung mit Hochfrequenzstrahlung (SAR)

Dieses Gerät wurde auf das Ziel hin entwickelt und gefertigt, die Emissionsgrenzwerte für Hochfrequenzstrahlung, welche die Federal Communications Commission (Kommission im Auftrag der US-Regierung) festgesetzt hat, nicht zu überschreiten.

Der Belastungsstandard für drahtlose Geräte verwendet eine Maßeinheit, die als spezifische Absorptionsrate (SAR) bezeichnet wird. Der von der US-Regierungskommission FCC festgelegte Grenzwert beträgt 1,6 W/kg. Tests zur SAR werden durchgeführt mithilfe von Standard-Betriebspositionen, welche die FCC mit dem Gerät, das Daten mit der höchsten zertifizierten Leistungsstufe in den getesteten Frequenzbereichen überträgt.

Um Konformität mit den Anforderungen der FCC zur Belastung mit Hochfrequenzstrahlung aufrecht zu erhalten,

betrug die größte zulässige Summierung von SAR: 0,90 W/kg 1 g Körper-SAR für GMM, 0,61 W/kg 1 g Körper-SAR für HXD2, 0,48 W/kg 1 g Körper-SAR für PXD2.

**WARNUNG:** Die Batterie (Batterie, Akku oder gebündelte Batterie) darf niemals großer Hitze wie direktem Sonnenlicht, Feuer oder ähnlichem ausgesetzt werden.

Hiermit erklärt die Samson Technologies Corp., dass das vorliegende kabellose Go Mic Mobile-System die wesentlichen Anforderungen und sonstige anwendbare Bestimmungen der Richtlinie 2014/53/EU erfüllt. Die Konformitätserklärung ist über folgenden Link einsehbar:

[http://www.samsontech.com/site\\_media/support/manuals/GMM\\_DOC.pdf](http://www.samsontech.com/site_media/support/manuals/GMM_DOC.pdf)





## Einführung

Herzlichen Glückwunsch zum Erwerb eines drahtlosen Go Mic Mobile-Systems von Samson. Das Go Mic Mobile ist ein duales Drahtlossystem, das dafür ausgelegt ist, für unterwegs gedrehte Filme Tonspuren in Profiqualität bereitzustellen. Paaren und mischen Sie zwei Sender für Ihr GMM und verwandeln Sie Ihr Mobilgerät in ein vollwertiges Videoproduktionsstudio. Diese Lösung eignet sich ideal für Journalisten mit vielen Außenterminen, Filmemacher, Hobbyfilmer und alle anderen, die ihre Videoaufnahmen auf kabellose Weise vertonen möchten.

Im Lieferumfang des Go Mic Mobile sind alle Kabel, die zum Anschließen des Empfängers Ihres Go Mic Mobile-Systems an ein Smartphone oder eine Digitalkamera (mit einem Audio-Eingang) erforderlich sind, enthalten. Sie können Ihr Go Mic Mobile-System zusammen mit Geräten, die unter iOS, Android, Mac OS und Windows laufen, einsetzen. Mit Hilfe der einrastenden Montagestreben kann der Go Mic Mobile-Empfänger direkt an der Rückseite eines Smartphones, außerhalb der Sichtachse des im Smartphone verbauten Objektivs, befestigt werden. Die Streben lassen sich abmontieren. Daraufhin kann der Empfänger an einem Tablet-Computer (mit Hilfe der im Lieferumfang enthaltenen Klettstreifen) montiert oder mithilfe des im Lieferumfang enthaltenen Adapters zum Befestigen von Kabelschuhen an einer Kamera angebracht werden.

In dieser Anleitung wird im Detail der gesamte Funktionsumfang des kabellosen Go Mic Mobile-Systems und auch der zugehörigen Bedienelemente an Vorder- und Rückseite beschrieben. Schritt für Schritt werden Einrichtung und Bedienung erklärt. Ebenfalls enthalten sind die ausführlichen Technischen Daten. Wenn Sie Ihr kabelloses System in den USA gekauft haben, liegt ihm eine Garantiekarte bei. Bitte befolgen Sie die Anweisungen, damit Sie unseren technischen Kundendienst in Anspruch nehmen und wir Ihnen für dieses und andere Samson-Produkte zukünftig aktualisierte Informationen zukommen lassen können. Alle wichtigen Informationen zu unserer gesamten Produktpalette finden Sie auch auf unserer Website ([www.samsontech.com](http://www.samsontech.com)).

Wir empfehlen Ihnen, zu Referenzzwecken die nun folgenden Informationen und Ihren Kaufbeleg aufzubewahren.

Seriennummer von Sender und Empfänger: \_\_\_\_\_

Kaufdatum: \_\_\_\_\_

Wenn Sie Fragen oder Kommentare zu unserem kabellosen Mikrofonsystem Go Mic Mobile oder zu einem anderen Produkt von Samson haben, warten Sie nicht länger und wenden Sie sich an [support@samsontech.com](mailto:support@samsontech.com).

Wenn Sie Ihr Gerät mit angemessener Sorgfalt behandeln und korrekt warten, funktioniert Ihr kabelloses Go Mic Mobile-System jahrelang problemlos. Wenn Wartungsarbeiten an Ihrem kabellosen Go Mic Mobile-System erforderlich werden, benötigen Sie eine „Return Authorization Number“ (RA / Rücksendeberechtigungsnummer). Erst nach Erhalt dieser Nummer können Sie Ihr Gerät bei Samson einschicken. Ohne eine solche Nummer müssen wir das eingeschickte Gerät leider zurückweisen. Sie können sich über die Webseite [www.samsontech.com/ra](http://www.samsontech.com/ra) an Samson wenden und eine Umtauschberechtigungsnummer erfragen. Schicken Sie anschließend Ihr Gerät ein. Verwenden Sie zum Einschicken möglichst Originalkarton und -verpackungsmaterial. Wenn Sie Ihr drahtloses Go Mic Mobile-System außerhalb der USA erworben haben, wenden Sie sich bitte an einen Händler in Ihrer Umgebung. Dort erhalten Sie alle für Garantie und Wartung wichtigen Informationen.

## Aufladen der Batterie des Empfängers Ihres Go Mic Mobile-Systems

Im Gehäuse des Empfängers Ihres Go Mic Mobile-Systems befindet sich ein Lithium-Ionen-Akku. Der Empfänger wird über den Mini-USB-Anschluss, der seitlich am Empfänger angebracht ist, aufgeladen.

Verwenden Sie, um den Empfänger aufzuladen, das USB-Ladekabel und den AC-Adapter. Beide sind im Lieferumfang enthalten. Das Aufladen ist darüber hinaus mit einem AC-5V-Adapter eines anderen Herstellers möglich. Zudem können die einzelnen Geräte an einen Standard-USB-Anschluss eines Desktop-Computers angeschlossen werden.

Die Gesamtladezeit beträgt 3 Stunden, wenn Sie ein Schnellladegerät oder einen schnellladefähigen USB-Anschluss (mit einem Blitzsymbol an der Seite) verwenden. Beim Anschließen an einen Standard-USB-Anschluss eines PCs dauert dies 10 Stunden. Die maximale Laufzeit eines voll geladenen Akkus beträgt ca. 7 - 13 Stunden.

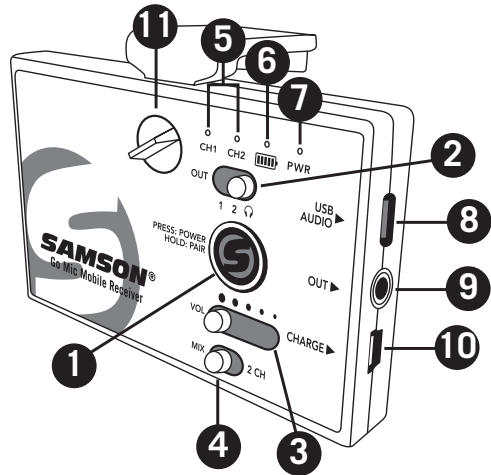
Hinweis: Der Empfänger des Go Mic Mobile-Systems wird nicht über den Micro-USB-Anschluss aufgeladen. Daher sinkt der Ladestand des Akkus mit dem Einstecken in einen Computer. Wenn Sie den Empfänger einschalten wollen, während dieser an ein Gerät angeschlossen ist, müssen Sie darüber hinaus den Mini-USB-Anschluss an den Computer oder AC-Adapter anschließen.

### **So holen Sie aus Ihrem Akku die maximale Leistung heraus:**

- Laden Sie die Akkus vor der ersten Verwendung vollständig auf.
- Laden Sie vor jeder Verwendung den Akku vollständig auf.
- Ziehen Sie, sobald der Akku aufgeladen ist, den Stecker des Adapters aus der Steckdose heraus.
- Der optimale Temperaturbereich für Betrieb und Lagerung des Akkus ist 10 - 30 °C. Akkuleistung und Betriebsverhalten können sich bei Temperaturen unter 10 °C verringern.
- Schalten Sie, um die Lebensdauer des Akkus zu verlängern, den Empfänger Ihres Go Mic Mobile-Systems aus, wenn es gerade nicht verwendet wird.

## Die einzelnen Elemente am Empfänger Ihres Go Mic Mobile (GMM)-Systems

1. **Schalter Power/Pair („Ein/Aus / Paaren“)** – Drücken Sie diesen Schalter und halten Sie ihn weniger als 5 Sekunden lang gedrückt, um Ihr System ein- oder auszuschalten. Drücken Sie ihn und halten Sie ihn länger als 5 Sekunden lang gedrückt, um in den Pairing-Modus zu wechseln. Hinweis: Für Sender und Empfänger eines Go Mic Mobile-Systems wurde bereits werkseitig ein Pairing ausgeführt.



2. **Wahlschalter Analogausgang** – Zum Einrichten der Verkabelung des analogen Ausgangs. Über die Stellungen OUT 1 & 2 ist das Anschließen an die Headset-Eingangsbuchse („Miniklinke“) eines Smartphones möglich. Der Kopfhörer/Line-Ausgang dient dem Anschließen des Empfängers an eine Kamera, ein Mischpult oder einen Kopfhörer.

3. **Lautstärkeregler (VOL)** – Über diesen Schieberegler lässt sich der Pegel des Audiosignals, das jeweils an den digitalen und den analogen Ausgang des Empfängers gesendet wird, einstellen.

4. **Schalter MIX / 2 CH** – Zum Einstellen des Tonsignalausgangs des Empfängers entweder auf gemischtes Mono oder aufgeteilt in einen linken und einen rechten Kanal.

5. **Anzeigeluchten CH 1 & CH 2** – Bei weißem Leuchten zeigen die LEDs an, dass ein Pairing des Empfängers mit einem Sender besteht. Wenn der Eingang des Senders oder der Ausgang des Empfängers gekappt wird, blinken die LEDs rot.

6. **Anzeige zum Ladezustand der Batterie** – Diese Anzeige leuchtet grün, wenn die Batterie aufgeladen ist, leuchtet rot, wenn ihr Ladezustand niedrig ist und leuchtet orange, wenn die Batterie gerade aufgeladen wird.

7. **Anzeige Ein/Aus** – Diese Anzeige leuchtet grün, wenn der Empfänger Ihres Go Mic Mobile-Systems eingeschaltet ist.

8. **Ausgang USB AUDIO** – Über diesen Ausgang können Sie eine digitale Tonquelle an den Audioeingang anschließen.

9. **Steckbuchse OUT** – Über diese 3,5mm-Steckbuchse (Miniklinke) können Sie eine analoge Tonquelle oder einen Kopfhörer/ein Paar Ohrhörer anschließen.

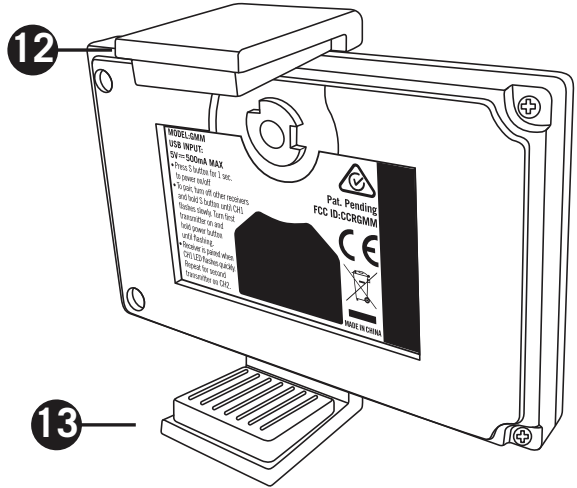
10. **USB-Ladeanschluss (CHARGE)** – Über diese Mini-USB-Steckbuchse können Sie den Empfänger ihres Go Mic Mobile-Systems an den im Lieferumfang enthaltenen AC-Adapter anschließen, um die Batterie im Gehäuse des Empfängers aufzuladen.

11. **Verriegelungsschraube** – Drehen Sie diese links herum, um die Schraube zu lösen und die Befestigungsstrebe einzustellen. Nach rechts drehen, um die Befestigungsstrebe in ihrer Position zu verriegeln.

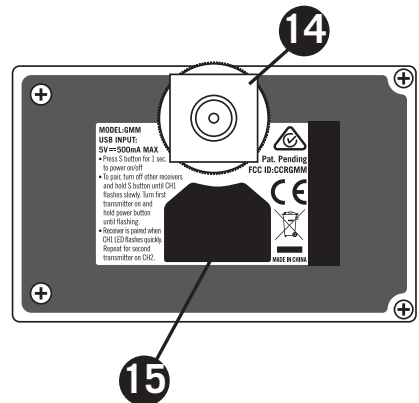
## Die einzelnen Elemente am Empfänger Ihres Go Mic Mobile (GMM)-Systems

### 12. Verstellbare

**Befestigungsstrebe** – Diese Befestigungsstrebe kann verstellt werden, damit sich der GMM-Empfänger an einem Smartphone anbringen lässt. Lösen Sie die Verriegelungsschraube oben am Empfänger Ihres GMM-Systems. Ziehen Sie, um die Strebe in ihrer Position zu befestigen, die Verriegelungsschraube an. Hinweis: Sie können die verstellbare Befestigungsstrebe abmontieren, indem Sie die Verriegelungsschraube lösen, die Strebe in die geschlossene Position schieben und anschließend die Verriegelungsschraube vollständig losschrauben und abnehmen. Schieben Sie nun die Befestigungsstrebe aus dem Empfänger Ihres GMM-Systems heraus und setzen Sie die Verriegelungsschraube wieder ein.



**13. Fixierte Befestigungsstrebe** – Diese fixierte Befestigungsstrebe wird dazu verwendet, den Empfänger des GMM-Systems an einem Smartphone anzubringen. Ein Adapter des Typs 1/4"-20 wird mitgeliefert. Mit diesem lässt sich das GMM auf einem Standard-Kamerastativ befestigen. Lösen Sie, um die fixierte Befestigungsstrebe abzumontieren, die beiden Kreuzschlitzschrauben.

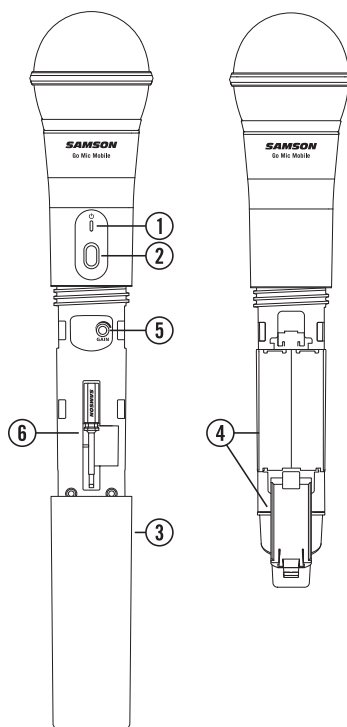


**14. Zubehörschuh-Adapter** – Diesen abnehmbaren Zubehörschuh-Adapter können Sie dazu nutzen, den Empfänger Ihres GMM-Systems an einer Kamera oder einem Koffer mit Filmzubehör für Außenstandorte anzubringen.

**15. Klettfläche** – Mithilfe der im Lieferumfang enthaltenen selbstklebenden Klettstücke können Sie Ihr GMM an einem Tablet-Computer anbringen. Bauen Sie, bevor Sie Ihr GMM an einem Tablet-Computer befestigen, die Standard-Befestigungsstreben und/oder Zubehörschuh-Adapter aus.

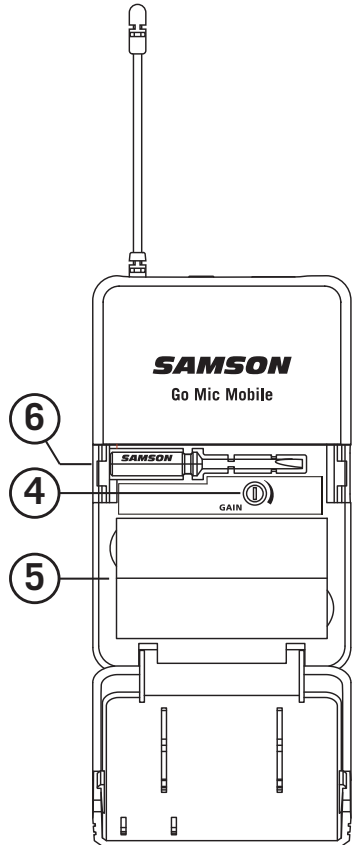
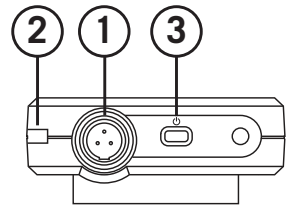
## Die Elemente des in der Hand gehaltenen Senders HXD2

1. **Statusanzeige** – Diese LED zeigt den Betriebsmodus an.
2. **Schalter Power/Pair (Ein/Aus / Pairing)** – Drücken Sie diesen Schalter und halten Sie ihn < 5 Sekunden gedrückt, um Ihr Gerät ein- oder auszuschalten. Drücken Sie diesen Schalter und halten Sie ihn > 5 Sekunden gedrückt, um in den Pairing-Modus zu wechseln.
3. **Batteriefachabdeckung** – Schrauben Sie, um das Batteriefach des in der Hand gehaltenen Teils Ihres Go Mic Mobile-Systems zu öffnen, die Batteriefachabdeckung los und schieben Sie diese nach unten.
4. **Batteriehalterung** – Öffnen Sie die Batteriehalterung, indem Sie auf die Lasche drücken und die Abdeckung anheben. Setzen Sie in dieses Fach zwei Standardakkus des Typs AA (LR6) ein. Achten Sie hierbei auf die Markierungen für Plus- und Minuspol.  
**WARNUNG:** Achten Sie darauf, die Batterie niemals verkehrt herum einzusetzen. Tun Sie dies dennoch, so kann hierdurch der Sender schwer beschädigt werden. Dies kann zur Folge haben, dass Ihre Garantieansprüche erlöschen.
5. **Verstärkungsregelung Eingang (GAIN)** – Über dieses Bedienelement können Sie die Empfindlichkeit für das Eingangssignal des Senders einstellen. Diese Empfindlichkeitsregelung für den Eingang wurde werkseitig so voreingestellt, das ein optimaler Pegel für die spezielle Mikrofonkapsel, die im Lieferumfang des Go Mic Mobile-Systems enthalten ist, vorliegt. Wir raten davon ab, diese Einstellung manuell zu verändern. Erforderlichenfalls können Sie als Benutzer aber auch den mitgelieferten Kunststoffschraubenzieher dazu verwenden, den Eingangspegel anzuheben oder abzusenken.
6. **Kunststoffschraubendreher** – Wird verwendet, um die Verstärkungsregelung für den Eingang (GAIN) einzustellen.



## Die Bestandteile des Tragegurtssets für den Sender PXD2

1. **Eingangssteckverbinder** – Schließen Sie hier das Eingabegerät über den Mini-XLR-Stecker an. Ihr PXD2 wird mit einem Halsmikrofon („Lavaliermikrofon“) ausgeliefert.
2. **Statusanzeige** – Diese LED zeigt den Betriebsmodus an.
3. **Schalter Power/Pair (Ein/Aus / Pairing)** – Drücken Sie diesen Schalter und halten Sie ihn < 5 Sekunden gedrückt, um Ihr Gerät ein- oder auszuschalten. Drücken Sie diesen Schalter und halten Sie ihn > 5 Sekunden gedrückt, um in den Pairing-Modus zu wechseln.
4. **Verstärkungsregelung Eingang (GAIN)** – Über dieses Bedienelement können Sie die Empfindlichkeit für das Eingangssignal des Senders einstellen.
5. **Batteriehalterung** – Setzen Sie in dieses Fach zwei Standardakkus des Typs AA (LR6) ein. Achten Sie hierbei auf die Markierungen für Plus- und Minuspol.  
**WARNUNG:** Achten Sie darauf, die Batterie niemals verkehrt herum einzusetzen. Tun Sie dies dennoch, so kann hierdurch Ihr PXD2 schwer beschädigt werden. Dies kann zur Folge haben, dass Sie Ihre Garantieansprüche verlieren.
6. **Kunststoffschraubendreher** – Wird verwendet, um die Verstärkungsregelung für den Eingang (GAIN) einzustellen.



## Erste Schritte – Pairing

Für das Go Mic Mobile-System wird bereits werkseitig ein Pairing ausgeführt. Wenn es erforderlich werden sollte, erneut ein Pairing des Systems vorzunehmen, führen Sie diese Schritte aus:

1. Schalten Sie Empfänger und Sender Ihres Go Mic Mobile-Systems ein, indem Sie die zugehörigen Taste „Ein/Aus / Pairing“ drücken und weniger als 5 Sekunden lang gedrückt halten.
2. Drücken Sie an Ihrem GMM die Taste „Ein/Aus / Pairing“ und halten Sie diese > 5 Sekunden lang gedrückt. Die CH1 LED beginnt langsam zu blinken.
3. Drücken Sie am Sender Ihres GMM die Taste „Ein/Aus / Pairing“ und halten Sie diese > 5 Sekunden lang gedrückt. Die LED des Senders beginnt langsam zu blinken.
4. Wenn das Pairing zwischen Empfänger und Sender erfolgt, blinken die LEDs schnell. Der Sender leuchtet in einem kräftigen Grün und die LED von Kanal 1 Ihres GMM in einem kräftigen Weiß. Die mit CH 2 beschriftete LED des Empfängers Ihres Go Mic Mobile-Systems beginnt nun langsam zu blinken.
5. Drücken Sie, um das Pairing mit einem zweiten Sender auszuführen, die Taste Ein/Aus / Pairing am zweiten Sender und halten Sie diese > 5 Sekunden lang gedrückt. Die LED des Senders beginnt langsam zu blinken. Wenn das Pairing von Empfänger und Sender erfolgt, blinken die LEDs schnell. Der Sender leuchtet in einem hellen, kräftigen Grün und die LED von Kanal 2 Ihres GMM in einem hellen, kräftigen Weiß.  
Hinweis: Wenn Sie für einen zweiten Sender kein Pairing ausführen möchten, überschreitet der Empfänger nach Ablauf von 20 Sekunden das Zeitlimit für den Pairing-Modus.
7. Drücken Sie, um für die Sender, für die bereits ein Pairing ausgeführt wurde, mit dem Empfänger Ihres Go Mic Mobile-Systems erneut ein Pairing auszuführen, die Taste Ein/Aus / Pairing am Empfänger und halten Sie diese > 5 Sekunden gedrückt. Der Empfänger löscht die derzeit gepaarten Sender und wechselt in den Pairing-Modus. Wenn kein Sender mit dem Empfänger gepaart ist, überschreitet das GMM-System sein Zeitlimit und kehrt in den Pairing-Zustand davor zurück.

**Hinweis: Schalten Sie, wenn Sie an Ihrem Go Mic Mobile-System ein Pairing ausführen, unbedingt nur einen GMM-Empfänger ein. Es darf sich immer nur ein Mikrofon im Pairing-Modus befinden.**

## Erste Schritte – Audio-Verbindungen

Ihr Go Mic Mobile kann über den digitalen Micro-USB-Anschluss oder den analogen 3,5mm-Ausgang an ein Smartphone angeschlossen werden.

### **Verbindung zu einem iOS-Gerät (iPhone, iPad oder iPod Touch)**

Schließen Sie das mitgelieferte Micro USB-auf-Lightning-Kabel an die Buchse des USB Audio-Ausgangs am GMM und an die Lightning-Steckbuchse am iOS-Gerät an. Nach dem Anschließen erkennt das iOS-Gerät Go Mic Mobile als eingehende Tonquelle.

Öffnen Sie eine Aufzeichnungs- oder Videoanwendung und starten Sie die Aufnahmefunktion.

*Hinweis: Wir empfehlen Ihnen, Ihr iOS-Gerät in den Modus „Bitte nicht stören“ oder Flugzeugmodus zu schalten, um die Video- oder Audioaufnahme vor Unterbrechungen durch eingehende Anrufe zu schützen. Lassen Sie den Flugzeugmodus ausgeschaltet, damit Geolokalisierungsdaten in Ihre Videodateien geschrieben werden.*

### **Verbindung zu einem Android-Gerät mit dem digitalen Audio-Ausgang**

Go Mic Mobile bietet hinsichtlich „Digital Audio“ Kompatibilität mit Android-Geräten, die unter Android 5.0 (Lollipop) oder einer aktuelleren Version laufen, welche digitale Audio-Konnektivität via USB zulässt. Nicht alle Android-Anwendungen unterstützen USB Audio, und Sie müssen u. U. eine App eines anderen Anbieters herunterladen, um diese Funktion nutzen zu können. Damit Sie über die Ausgangsbuchse des USB-Audioanschlusses eine Verbindung herstellen können, muss Ihr Android-Gerät unbedingt digitale Audiodaten empfangen können. Mit dem Micro USB-auf-USB Typ C-Kabel oder Micro USB-auf-Micro USB-Kabel können Sie das Kabel an den Micro USB-Audioausgang am GMM und den USB-Eingang Ihres unter Android laufenden Mobilgeräts anschließen.

### **Verbindung zu einem Mobilgerät mit analogem Audioausgang**

Wenn Ihr Mobilgerät nicht dafür ausgerüstet ist, digitale Audiodaten zu empfangen, können Sie es mithilfe Ihres analogen GMM-Geräts anschließen. Beim Anschließen an ein Smartphone müssen Sie den Wahlschalter für den analogen Ausgang entweder auf Position Out 1 oder Out 2 einstellen. Für die meisten Smartphones ist die Position Out 1 (CTIA / AHJ) die geeignete Einstellung. Wenn Ihr Mobilgerät einen 3,5mm-Miniklinke-Eingang besitzt, nutzen Sie die Position Out 2. Weitere Informationen zu Smartphone-Anschlusskabeln finden Sie unter [www.samsontech.com/support/go-mic-mobile](http://www.samsontech.com/support/go-mic-mobile).

### **Anschließen an DSLR-Kamera, Cinema-Kamera oder Mischpult**

Wenn Sie Ihr GMM an eine DSLR-Kamera, Cinema-Kamera oder ein Mischpult anschließen, nutzen Sie hierfür das mitgelieferte analoge 3,5mm-Audio-Ausgangskabel. Stellen Sie den Ausgabewahlschalter auf Line/Kopfhörer ein.

### **Einsatz Ihres Go Mic Mobile als Monitor**

Sie können den 3,5mm-Ausgang Ihres GMM zum Monitoring für das an den Empfänger übermittelte Tonsignal nutzen. Der Kopfhörer-Ausgang ist mit dem Schalter MIX / 2 CH gekoppelt. Die Kopfhörer werden über den Ausgangspegel-Schieberegler (VOL) geregelt. Dieser ist mit dem Ausgabepiegel des USB-Audioanschlusses gekoppelt.



## Erste Schritte – Einstellen der Lautstärke des Systems

Gute Audioqualität kann ein schlecht gefilmtes Video beachtlich aufwerten, schlechte Audioqualität hingegen ist Gift für jedes Video. Damit Sie optimale Ergebnisse erzielen, wenn Sie mit Go Mic Mobile Ihrem Video eine Tonspur hinzufügen, ist es wichtig, dass Sie exakt auf das Gain-Verhalten von Sendern und Empfänger achtgeben. Wenn die Signalfrequenz zu hoch ist, kann es zu Überlast oder Verzerrung kommen. Wenn im entgegengesetzten Fall die Signalfrequenz zu niedrig ist, müssen Sie diese bei ihrer „Post Production“ anheben; hierdurch kann jedoch das Hintergrundgeräusch verstärkt werden.

Die LEDs von Kanal 1 und Kanal 2 des GMM-Empfängers bieten eine Anzeigefunktion für Leistungsspitzen oder Überlast, wenn der Eingang am Empfänger (vom Sender her kommendes Signal) eine Überlast aufweist. Drehen Sie, um den Pegel für die Sender einzustellen, während Sie in den Sender Ihres Go Mic Mobile hinein sprechen, den Gain-Regler (innen im Batteriefach) so lange auf, bis Sie einen für Ihre Aufnahme geeigneten Pegel erreichen. Drehen Sie, wenn die zugehörige Kanalanzeige (CH) rot blinkt, den Gain-Regler so lange nach unten, bis die Anzeigeleuchte nicht mehr rot blinkt oder nur noch bei sehr starken Signalen gelegentlich aufleuchtet.

Machen Sie, sobald Sie den Pegel für den/die Sender eingestellt haben, eine Testaufnahme, um den Pegel des GMM-Empfängers einzustellen. Stellen Sie, wenn Ihre Aufnahme-App eine Messfunktion für Eingangspegel besitzt, den Lautstärkereglers des GMM-Empfängers so lange neu ein, bis das Messgerät so nahe wie möglich an 0 dB (oder Clip) herankommt, ohne dass dabei eine Überschreitung der Nullgrenze stattfindet.

*Hinweis: Das Betätigen des Lautstärkereglers (VOL) des Empfängers beeinträchtigt nicht die Gain-Einstellung des Senders. Wenn beispielsweise die Sender ein verzerrtes Signal aussenden, verbessert das Verringern des Lautstärkepegels im Empfänger nicht die Qualität des Tonsignals. Lediglich der Gesamtpegel des verzerrten Signals lässt sich auf diese Weise verringern.*

### Schalter MIX / 2 CH

Beim Empfänger Ihres GMM-Systems ist ein Pairing mit zwei Sendern möglich, um Tonsignale von zwei unabhängigen Tonquellen erhalten zu können. Über den Schalter MIX / 2 CH können Sie festlegen, in welcher Form die Tonsignale an die Audioausgänge des Empfängers übermittelt werden.

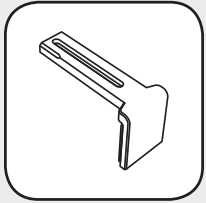
Wenn der Schalter in der Position MIX steht, werden die beiden Kanäle in der linken und in der rechten Tonspur mono gemischt.

Wenn der Schalter sich in der Zweikanalposition (2 CH) befindet, belegt der CH 1-Sender den linken Audiokanal und der CH 2-Sender den rechten Audiokanal. Im Zweikanalmodus (2 CH) können die Eingänge in einer Aufzeichnungssoftware jeweils als eigene Tonspur angelegt werden. Zu diesem Zweck wird aus dem linken und dem rechten Eingangssignal jeweils eine eigene Tonspur erstellt oder das Stereo-Tonsignal wird aus einer Videoaufnahme extrahiert, um die Kanäle bei der „post production“ einzeln bearbeiten zu können.

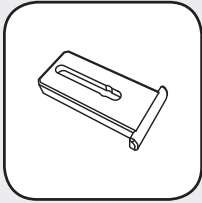
Über den Schalter MIX / 2 CH können Sie Tonsignale mischen, bevor diese an die Audioausgänge des GMM-Empfängers gesendet werden. Die auf Ihrem Smartphone, Ihrer Kamera oder Ihrem Computer installierte Software oder App für Filmaufnahmen/ Videoaufzeichnungen nimmt hieran keine Änderungen vor.

# Montageanweisungen Go Mic Mobile

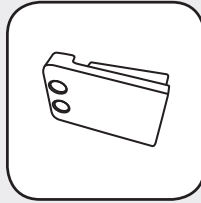
## Montagezubehör



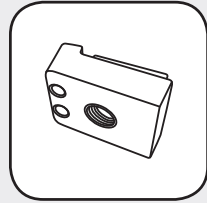
Verstellbare  
Befestigungsstrebe



Einschubabdeckung



Befestigungsstrebe



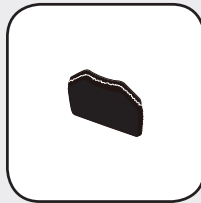
Befestigungsstrebe  
1/4" - 20



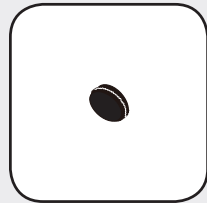
Zubehörschuh-  
Adapter



Flügelsschraube



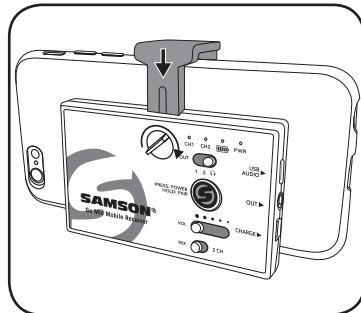
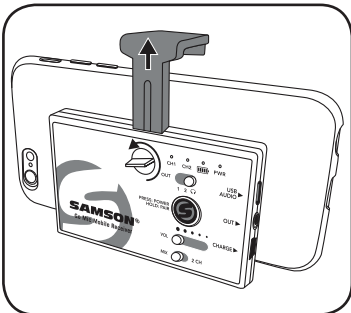
Großes Klettstück



Kleines Klettstück

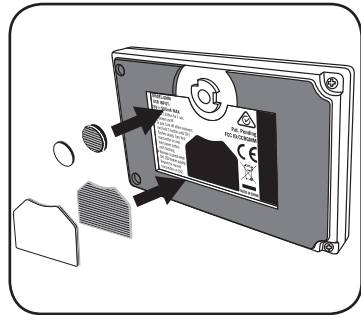
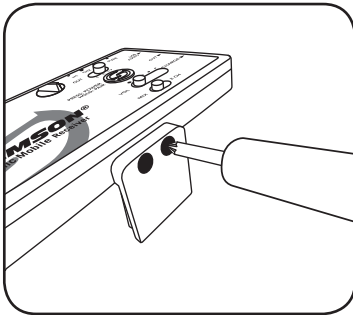
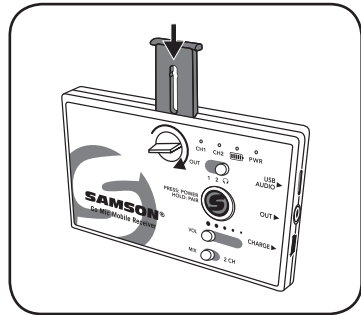
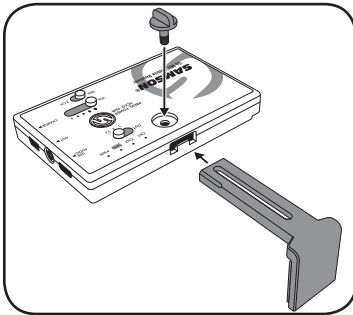
## Montage an einem Smartphone

1. Lösen Sie die Verriegelungsschraube, bis Sie die verstellbare Befestigungsstrebe bewegen können.
2. Positionieren Sie den Empfänger an der Rückseite Ihres Smartphones.
3. Verschieben Sie die verstellbare Befestigungsstrebe so, dass diese eng an der Kante Ihres Smartphones anliegt.
4. Üben Sie Druck auf die verstellbare Befestigungsstrebe aus und ziehen Sie die Verriegelungsschraube fest.



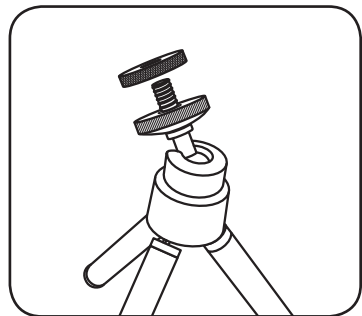
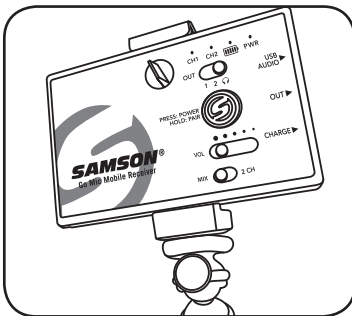
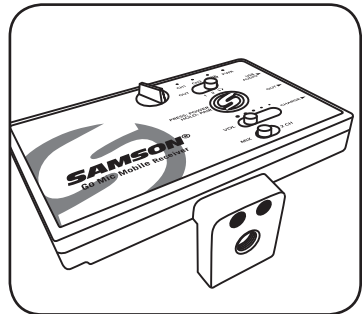
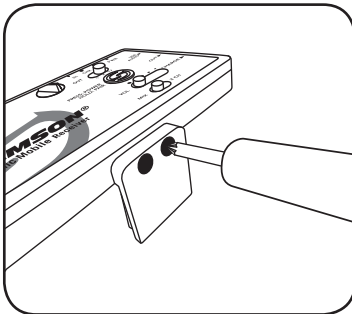
## Montage an einem Tablet-Computer

1. Lösen Sie die Verriegelungsschraube vollständig und nehmen Sie sie heraus.
2. Verschieben Sie die verstellbare Befestigungsstrebe, um sie anschließend abzunehmen.
3. Schieben Sie die Einschubabdeckung in den Empfänger hinein und ziehen Sie die Verriegelungsschraube fest.
4. Lösen Sie, um die fixierte Befestigungsstrebe abzumontieren, die beiden Kreuzschlitzschrauben.
5. Bringen Sie das große Klettstück an, indem Sie die klebende Rückseite von der Oberfläche mit den Haken abziehen und das große Klettstück an der Rückseite des Empfängers Ihres Go Mic Mobile-Systems platzieren.
6. Entfernen Sie die Schutzschicht von der Maschenseite des Klettverschlusses und positionieren Sie den Empfänger hinten an Ihrem Tablet-Computer.
7. Drücken Sie zum Befestigen den Empfänger Ihres Go Mic Mobile-Systems gegen Ihren Tablet-Computer.
8. Nutzen Sie, wenn der Empfänger Ihres Go Mic Mobile-Systems nicht fest sitzt, das kleine Zusatz-Klettstück.



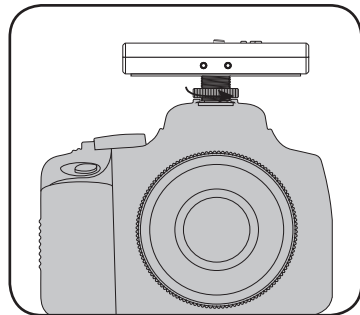
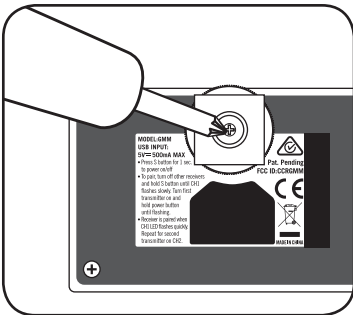
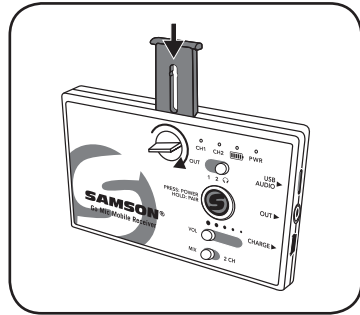
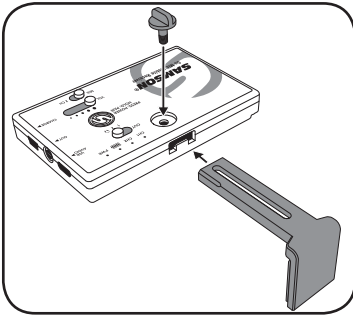
## Montage an einem Stativ

1. Bringen Sie die Befestigungsstrebe der Größe 1/4"-20 am Empfänger Ihres Go Mic Mobile-Systems an, indem Sie zunächst die fixierte Befestigungsstrebe mit den beiden Kreuzschlitzschrauben abmontieren.
2. Befestigen Sie Ihr GMM an einem Stativ. Halten Sie sich dabei genau an die Montageanweisungen.
3. Verwenden Sie, wenn der Montagebolzen des Stativs der Größe 1/4"-20 länger als 9,5 mm (3/8") ist, die im Lieferumfang enthaltene Flügelschraube, bevor Sie den Empfänger Ihres Go Mic Mobile-Systems am Stativ befestigen.
4. Befestigen Sie das Smartphone am Empfänger Ihres Go Mic Mobile-Systems. Halten Sie sich hierbei an die Anweisungen aus dem mit „**Befestigung an einem Smartphone**“ überschriebenen Abschnitt.



## Anbringen an einem Zubehörschuh-Adapter

1. Lösen Sie, um die fixierte Befestigungsstrebe abzumontieren, die beiden Schrauben.
2. Sie können die verstellbare Befestigungsstrebe abmontieren, indem Sie die Verriegelungsschraube lösen, die Strebe in die geschlossene Position schieben und anschließend die Verriegelungsschraube vollständig lösen und abnehmen.
3. Schieben Sie die Befestigungsstrebe aus dem Empfänger heraus. Ersetzen Sie die verstellbare Befestigungsstrebe durch die Einschubabdeckung.
4. Setzen Sie die Verriegelungsschraube wieder ein.
5. Positionieren Sie den mitgelieferten Zubehörschuh-Adapter an der Unterseite des Empfängers Ihres Go Mic Mobile-Systems. Beachten Sie dabei, dass der Zubehörschuh-Adapter verkeilt ist, sodass er in seiner Position verbleibt, wenn er am Empfänger befestigt wird.
6. Befestigen Sie mit einem Kreuzschlitzschraubendreher den Zubehörschuh-Adapter am Empfänger, indem Sie die mitgelieferte Schraube festziehen.
7. Schieben Sie Ihren GMM-Empfänger in den Zubehörschuh des angeschlossenen Geräts.
8. Ziehen Sie, sobald Sie die Platzierung vorgenommen haben, die große Flügelschraube am Zubehörschuh des Empfängers so fest, dass er sicheren Halt hat.



## Technische Daten

### Kabelloses Go Mic Mobile-System

Reichweite	30 m (ohne Hindernisse)
Betriebsfrequenz	2,406 ~ 2,478 GHz
Frequenzgang	10 Hz – 22 KHz
Betriebstemperatur	-10 °C ~ +50 °C
Firmware-Version	V1.0
Hardware-Version	V1.0
Signal-Rausch-Verhältnis	90 dB (A) Mikrofon bei minimalem Gain 78 dB (A) Mikrofon bei maximalem Gain
Zubehör	Micro USB-auf-Lightning-Kabel, Micro USB-auf-Micro USB-Kabel, Micro USB-auf-USB-C-Kabel, Mini-B USB auf USB-A-Kabel, 3,5mm-Audiokabel, Zubehörschuh-Adapter

### GMM-Empfänger

Max. Pegel des analogen Audioausgangs	+6 dBu, =4,4 Vpp, =70 mW pro Seite in 32 Ω
Abtastrate USB Audio	48 kHz
Unterstützung für USB Audio	Windows, Mac OS, iOS, Android, Linux
Akkulaufzeit	7 - 13 Stunden in Abhängigkeit von der Nutzung
Leistung	Interner wiederaufladbarer Lithium-Ionen-Akku
Betriebsspannung	5 V DC, 500 mA

### Handgerechter Sender HXD2

Mikrofontyp	Unidirektional
Funkfrequenzleistung	< 10 mW (äquivalente isotrope Strahlungsleistung)
Leistungsaufnahme	Zwei alkalische Akkus AA (LR6)
Akkulaufzeit	20 Stunden

### Tragegurtset für den Sender PXD2

Eingangssteckverbinder	Mini-XLR (P3)
Funkfrequenzleistung	< 10 mW (äquivalente isotrope Strahlungsleistung)
Leistungsaufnahme	Zwei alkalische Akkus AA (LR6)

Akkulaufzeit 20 Stunden *Bei Samson verbessern wir unsere Produkte kontinuierlich. Entsprechend behalten wir uns das Recht vor, Spezifikationen und Abbildungen ohne vorherige Ankündigung zu ändern.*

## Erklärung

Die Kennzeichnungen „Made for iPod“, „Made for iPhone“ und „Made for iPad“ bedeuten, dass ein elektronischer Zubehörartikel speziell für die Verbindung zu iPod, iPhone oder iPad entwickelt wurde und von seinem Entwickler auf die Leistungsstandards von Apple hin zertifiziert wurde. Apple ist weder für Inbetriebnahme und Betrieb dieses Geräts noch für seine Kompatibilität mit sicherheitsrelevanten Normen und Vorschriften verantwortlich. Beachten Sie, dass die Nutzung dieses Zubehörartikels zusammen mit iPod, iPhone, oder iPad die Leistung Ihres Geräts im kabellosen Betrieb beeinträchtigen kann.

iPad, iPhone und iPod touch sind eingetragene Marken von Apple Inc., die in den USA und anderen Ländern registriert sind. iPad Air und iPad mini sind eingetragene Marken von Apple Inc. Die Nutzung der eingetragenen Marke „iPhone“ erfolgt in Lizenz von Aiphone K.K.

Made for

iPhone 7 Plus, iPhone 7, iPhone SE, iPhone 6s Plus, iPhone 6s, iPhone 6 Plus, iPhone 6, iPhone 5s, iPhone 5c, iPhone 5

iPad Pro (9,7 Zoll), iPad Pro (12,9 Zoll), iPad mini 4, iPad Air 2, iPad mini 3, iPad Air, iPad mini 2, iPad mini, iPad (4. Generation)

iPod touch (6. Generation), iPod touch (5. Generation)

## Información importante sobre seguridad



**ATENCIÓN**  
**¡RIESGO DE ELECTROCUCIÓN!**  
**¡NO ABRIR!**

PRECAUCIÓN: PARA REDUCIR EL RIESGO DE DESCARGA ELÉCTRICA, NO RETIRE LA CUBIERTA (O PARTE TRASERA). NO HAY EN SU INTERIOR PIEZAS QUE EL USUARIO PUEDA REPARAR. ENCARGUE CUALQUIER REPARACIÓN A PERSONAL DE SERVICIO CUALIFICADO.



Este símbolo de un relámpago con punta de flecha dentro de un triángulo equilátero está destinado a alertar al usuario de la presencia de "voltaje peligroso" no aislado dentro de la caja del producto, que puede ser de la suficiente magnitud como para constituir un riesgo de descarga eléctrica.



El signo de exclamación dentro de un triángulo equilátero está destinado a alertar al usuario de la presencia de instrucciones importantes de funcionamiento y mantenimiento en la documentación que se adjunta con el aparato.

### ADVERTENCIA

PARA EVITAR EL PELIGRO DE INCENDIO O DESCARGA ELÉCTRICA, NO UTILICE ESTE ENCHUFE CON UN CABLE DE EXTENSIÓN, RECEPTÁCULO U OTRA TOMA DE CORRIENTE A MENOS QUE LAS PATILLAS PUEDAN INSERTARSE COMPLETAMENTE, CON OBJETO DE EVITAR QUE LAS PATILLAS QUEDEN EXPUESTAS. PARA EVITAR EL PELIGRO DE INCENDIO O DESCARGA ELÉCTRICA, NO EXPONGA ESTE APARATO A LA LLUVIA O LA HUMEDAD. PARA EVITAR DESCARGAS ELÉCTRICAS, INSERTE COMPLETAMENTE LA PATILLA ANCHA DEL ENCHUFE EN LA TOMA DE CORRIENTE.



Si desea desechar este producto, no lo mezcle con los residuos domésticos de tipo general. Existe un sistema de recogida por separado para los productos electrónicos, de conformidad con la legislación que requiere un tratamiento, recuperación y reciclaje adecuados.

Los domicilios particulares de los 28 estados miembro de la UE, y de Suiza y Noruega, pueden devolver sus productos electrónicos usados sin cargo alguno en instalaciones de recogida designadas o a un vendedor (en caso de que usted comprara uno nuevo similar).

Para los países no mencionados arriba, por favor, póngase en contacto con sus autoridades locales para informarse sobre un método de eliminación correcto.

Haciéndolo así, tendrá la seguridad de que su producto desechado se somete al tratamiento, recuperación y reciclaje necesarios y, de esta manera, evitará efectos potencialmente negativos en el entorno y la salud humana.



### Información importante sobre seguridad

1. Lea estas instrucciones.
2. Guarde estas instrucciones.
3. Preste atención a todas las advertencias.
4. Siga todas las instrucciones.
5. No use este aparato cerca del agua.
6. Limpie únicamente con un paño seco.
7. No obstruya ninguna abertura de ventilación. Instale de conformidad con las instrucciones del fabricante.
8. No instale cerca de ninguna fuente de calor, como radiadores, rejillas de calefacción, estufas u otros aparatos (incluyendo amplificadores) que produzcan calor.
9. No anule el propósito de seguridad del enchufe polarizado o de tipo de conexión a tierra. Un enchufe polarizado tiene dos patillas, siendo una más ancha que la otra. Un enchufe de tipo de conexión a tierra tiene dos patillas y una tercera clavija de conexión a tierra. La patilla ancha o la tercera clavija se proporcionan para su seguridad. Si el enchufe que se proporciona no encaja en su toma de corriente, consulte a un electricista para sustituir la toma obsoleta.
10. Evite pisar o pellizcar el cable de alimentación, en especial en los enchufes, los receptáculos y en el punto de donde salen del aparato.
11. Use únicamente conexiones/accesorios especificados por el fabricante.
12. Use únicamente con el carro, soporte, trípode, ménsula o mesa que especifique el fabricante o que se haya vendido junto con el aparato. Cuando se utilice un carro, tenga precaución cuando mueva la combinación de carro/aparato para evitar daños producidos por posibles vuelques.
13. Desenchufe el aparato durante las tormentas eléctricas o cuando no vaya a utilizarse durante largos períodos de tiempo.
14. Encargue todas las reparaciones a personal cualificado. Las reparaciones son necesarias cuando el aparato ha resultado dañado en cualquier forma; por ejemplo, si el enchufe o el cable de alimentación están dañados, se han derramado líquidos o han caído objetos en el interior del aparato, si ha estado expuesto a lluvia o humedad, no funciona con normalidad, o se ha dejado caer.
15. No se debe exponer este aparato a gotas o salpicaduras de agua, ni depositar objetos que contengan líquido, como vasos, encima del aparato.
16. Precaución - Para evitar descargas eléctricas, inserte completamente la patilla ancha del enchufe en la toma de corriente.
17. Por favor, mantenga un entorno bien ventilado en los alrededores de la unidad al completo.
18. El adaptador de conexión directa se utiliza como dispositivo de conexión; el dispositivo de conexión deberá ser fácilmente accesible.
19. Las pilas (el pack de pilas o las pilas instaladas) no deberán ser expuestas a calor excesivo, como la luz solar, fuego o similares.



## Información importante sobre seguridad

### Aviso de la FCC

1. Este dispositivo cumple con el apartado 15 de las normas de la FCC. Su operación está sujeta a las dos condiciones siguientes:
  - (1) Este dispositivo no debe ocasionar interferencia perjudicial, y
  - (2) Este dispositivo debe aceptar cualquier interferencia recibida, incluyendo interferencias que puedan causar un funcionamiento no deseado.
2. Cualquier cambio o modificación no aprobada de forma expresa por la parte responsable del cumplimiento podría anular la autoridad del usuario para manejar el equipo.

### Declaración de la FCC

Este equipo ha sido sometido a pruebas y se ha encontrado que cumple con los límites para un dispositivo digital de Clase B, de conformidad con el epígrafe 15 de las normas de la FCC. Estos límites están diseñados para proporcionar protección razonable contra interferencias perjudiciales en una instalación residencial.

Este equipo genera, usa y puede irradiar energía de radiofrecuencia y, de no instalarse y ser usado de acuerdo con las instrucciones, podría provocar interferencias perjudiciales a las radiocomunicaciones. No obstante, no se garantiza que las interferencias no puedan ocurrir en una instalación en particular. Si el equipo provoca interferencias perjudiciales en la recepción de radio o televisión, lo cual puede determinarse encendiendo y apagando el equipo, se anima al usuario a que trate de corregir la interferencia adoptando una o más de las siguientes medidas:

- Reoriente o cambie de ubicación la antena receptora.
- Aumente la separación entre el equipo y el receptor.
- Conecte el equipo a una toma de corriente en un circuito diferente a aquel al que está conectado el receptor.
- Si necesita ayuda, consulte a su vendedor o a un técnico de radio/TV con experiencia.

### Declaración de la exposición a RF (SAR)

Este dispositivo está diseñado y fabricado para no sobrepasar los límites de emisión para la exposición a la energía de radiofrecuencias (RF) determinada por la Comisión Federal de Comunicaciones del Gobierno de los Estados Unidos.

El estándar de exposición para dispositivos inalámbricos emplea una unidad de medida conocida como Coeficiente de Absorción Específica, o SAR. El límite de SAR determinado por la FCC es de 1,6W/kg. Las pruebas de SAR se llevan a cabo utilizando posiciones de funcionamiento estándares y aceptadas por la FCC, con el dispositivo transmitiendo a su nivel de potencia certificado más alto en bandas de frecuencia probadas.

Debe mantenerse el cumplimiento con los requisitos de exposición a RF de la FCC.

El sumatorio máximo de SAR fue: 0,90W/Kg 1g Cuerpo SAR para GMM, 0,61W/Kg 1g, Cuerpo SAR para HXD2, 0,48W/Kg 1g, Cuerpo SAR para PXD2.

**ADVERTENCIA:** La pila (pila o pilas o pack de pilas) no deberá exponerse a un calor excesivo, como el de la luz solar, el fuego u otras fuentes caloríficas similares.

Por el presente, Samson Technologies Corp. declara que este Sistema Inalámbrico Go Mic Mobile cumple con los requerimientos esenciales y con el resto de provisiones relevantes de la Directiva 2014/53/EU. La declaración de conformidad puede consultarse en:

[http://www.samsontech.com/site\\_media/support/manuals/GMM\\_DOC.pdf](http://www.samsontech.com/site_media/support/manuals/GMM_DOC.pdf)



# Introducción

Felicidades por su compra del Sistema Inalámbrico Go Mic Mobile de Samson. Go Mic Mobile es un sistema inalámbrico dual diseñado para proporcionar audio de calidad profesional para los vídeos móviles. Ajunte y mezcle dos transmisores al GMM y transforme su dispositivo móvil en un completo estudio de videoproducción. Es la solución ideal para periodistas, realizadores de películas y videógrafos que trabajan con dispositivos móviles, o para cualquiera que quiera añadir un sistema de sonido inalámbrico a sus proyectos de vídeo.

Go Mic Mobile incluye todos los cables necesarios para conectar el Receptor Go Mic Mobile (GMM) a un smartphone o una cámara digital (con entrada de audio). Go Mic Mobile funciona con dispositivos iOS, Android, Mac OS y Windows. Los brazos de montaje con cierre permiten montar el receptor Go Mic Mobile directamente en la parte trasera de un smartphone sin tapar la lente del teléfono. Pueden quitarse los brazos de montaje para unir el receptor a una tablet (usando las pegatinas incluidas) o unir a una cámara utilizando el adaptador de zapata incluido.

En estas páginas encontrará una descripción detallada de las características del sistema inalámbrico Go Mic Mobile, instrucciones para su configuración y uso, y especificaciones. Si su sistema inalámbrico se adquirió en los Estados Unidos, encontrará también una tarjeta de registro incluida. No olvide seguir las instrucciones, de modo que pueda recibir asistencia técnica online y para que en el futuro podamos enviarle información actualizada acerca de este y de otros productos Samson. Asegúrese también de visitar nuestro sitio web ([www.samsontech.com](http://www.samsontech.com)) para obtener información completa de toda nuestra línea de productos.

Le recomendamos conservar los siguientes registros como referencia, además de una copia de su recibo de compra.

Número de serie del transmisor y receptor: \_\_\_\_\_

Fecha de compra: \_\_\_\_\_

Si tiene alguna pregunta o comentario sobre el Sistema de Micrófono Inalámbrico Go Mic Mobile AirLine ATX u otros productos de Samson, no dude en ponerse en contacto con nosotros en [support@samsontech.com](mailto:support@samsontech.com).

Con un cuidado y mantenimiento adecuados, su Sistema Inalámbrico Go Mic Mobile funcionará sin problemas durante muchos años. En el caso de que su Sistema Inalámbrico Go Mic Mobile necesitara ser reparado, deberá obtener un número de autorización de devolución (Return Authorization, RA) antes de expedir su unidad a Samson. Sin este número, su unidad no será aceptada. Visite [www.samsontech.com/ra](http://www.samsontech.com/ra) para obtener un número RA antes de enviar su unidad. Conserve los materiales del embalaje original y, si es posible, devuelva la unidad en su caja de cartón original. Si su Sistema Inalámbrico Go Mic Mobile fue adquirido fuera de los Estados Unidos, póngase en contacto con su distribuidor local para conocer detalles acerca de la garantía e información sobre reparaciones.

## Carga de la pila del Receptor Go Mic Mobile

El Receptor Go Mic Mobile tiene una pila recargable interna de iones litio. El Receptor se carga a través del jack mini de USB localizado en el lado del Receptor.

Para cargar el Receptor utilice el cable de carga USB y el adaptador AC incluidos. La carga también se puede realizar con adaptadores AC de 5V de otras marcas, o conectando las unidades a un puerto USB estándar de un PC.

El tiempo total de carga es de 3 horas si usa un cargador rápido o un puerto USB de carga rápida (con un símbolo de un rayo), pero con la conexión a un puerto USB estándar necesitará 10 horas. El tiempo de funcionamiento máximo con la pila totalmente cargada es de 7 a 13 horas.

Nota: el Receptor Go Mic Mobile no se recarga desde el puerto USB Micro, así que el nivel de la pila disminuirá si lo enchufa a un PC. Si quiere recargar el receptor mientras lo tiene conectado a un dispositivo, también deberá conectar el puerto USB Mini al ordenador o al adaptador AC.

### **Cómo aprovechar al máximo la pila recargable:**

- Cargue completamente las pilas antes de su primer uso.
- Cargue del todo la pila antes de que vaya a usarse.
- Una vez la pila esté cargada, desconecte el adaptador de la toma de corriente.
- El rango de temperatura óptimo para usar y almacenar la pila es de 50°F - 86°F (10°C - 30°C). El rendimiento y funcionamiento de la pila pueden disminuir en temperaturas por debajo de los 50°F (10°C).
- Para alargar la vida de la pila, apague el receptor Go Mic Mobile cuando no lo use.

## Leyendas del Receptor Go Mic Mobile Receiver (GMM)

### 1. Botón de Encendido/Sincronización

- Pulse menos de 5 segundos para encender o apagar la unidad. Pulse y mantenga pulsado durante más de 5 segundos para entrar en el modo de sincronización.

Nota: el receptor y el transmisor de Go Mic Mobile están pre-sincronizados de fábrica.

### 2. Botón de Selección de Salida Analógica

- Para la salida analógica y su cableado. Las posiciones OUT 1 y 2 son para conectar a la entrada de unos auriculares TRRS de smartphone. La salida de Auriculares/Línea es para conectar el receptor a una cámara, mezcladora o auriculares.

### 3. Control VOL

- Este botón deslizante configura el nivel del señal de audio enviado a las salidas analógicas y digitales del receptor.

### 4. Botón MIX / 2 CH

- Configura la salida de audio del receptor a mezcla mono o separación izquierda y derecha.

### 5. Indicadores CH 1 y CH2

- Cuando brillan blancas, las LEDs indican que el receptor está sincronizado con un transmisor. Cuando se corta la entrada del transmisor o la salida del receptor, las LEDs emiten una luz roja.

### 6. Indicador de carga de la pila

- Este indicador está iluminado en verde cuando la pila está cargada, en rojo cuando la carga de la pila es baja y en naranja cuando se está cargando.

### 7. Indicador de potencia (PWR)

- Este indicador emite una luz verde cuando el Receptor de Go Mic Mobile está encendido.

### 8. Salida USB AUDIO

- Use esta salida para conectar el dispositivo a una entrada de audio digital.

### 9. Jack OUT

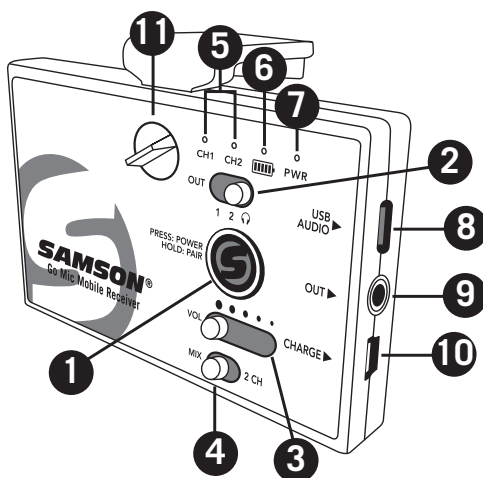
- Use este jack de 3,5mm para conectar a una entrada analógica o unos auriculares.

### 10. Puerto de carga USB

- Utilice este jack mini de USB para conectar el Receptor Go Mic Mobile al adaptador AC incluido para cargar la pila interna del receptor.

### 11. Tornillo de fijación

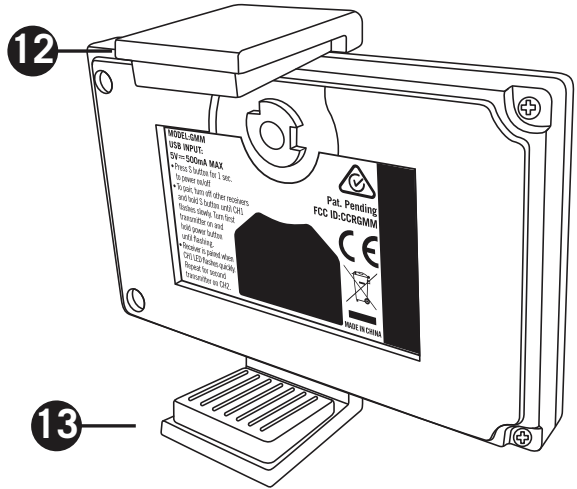
- Gire a la izquierda para soltar el tornillo y ajustar los brazos de montaje. Gire a la derecha para fijar en un sitio los brazos de montaje.



## Leyendas del Receptor Go Mic Mobile Receiver (GMM)

### 12. Brazo de Montado Ajustable

- Este brazo de montaje es ajustable para poder unir el Receptor GMM a un smartphone. Para unirlos, afloje el tornillo de fijación en la parte superior del Receptor GMM. Para fijar el brazo en un sitio, apriete el tornillo de fijación.  
Nota: el brazo de montaje ajustable puede sacarse aflojando el tornillo de fijación, deslizando el brazo a la posición cerrada, y luego desatornillando totalmente el tornillo de fijación para sacarlo. Ahora deslice el brazo de montaje, sáquelo del Receptor GMM y vuelva a poner el tornillo de fijación.

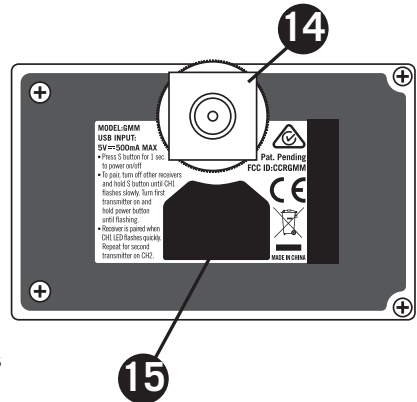


### 13. Brazo de Montado Fijo

- Este brazo de montaje fijo se usa para montar el Receptor GMM a un smartphone. Se incluye un adaptador de 1/4"-20 para montar el GMM a un trípode de cámara estándar. Para quitar el brazo de montaje fijo desatornille los dos tornillos de estrella.

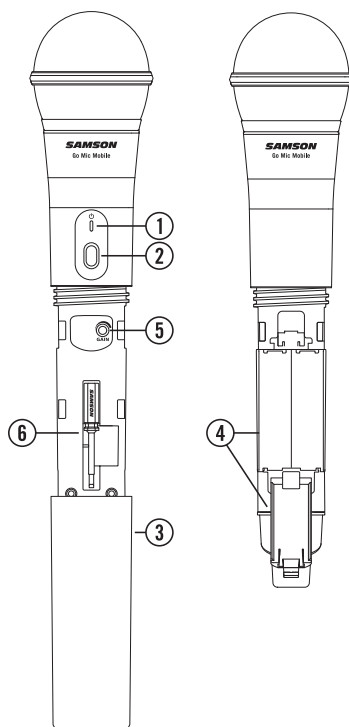
14. **Adaptador de Zapata** - Este adaptador de montaje de zapata se usa para unir el Receptor GMM a una cámara o a la carcasa de un dispositivo móvil de filmación.

15. **Área de pegatinas** - Use las pegatinas incluidas autoadherentes para unir el GMM a una tablet. Antes de unir el GMM a una tablet quite los brazos de montaje estándares y/o el adaptador de zapata.



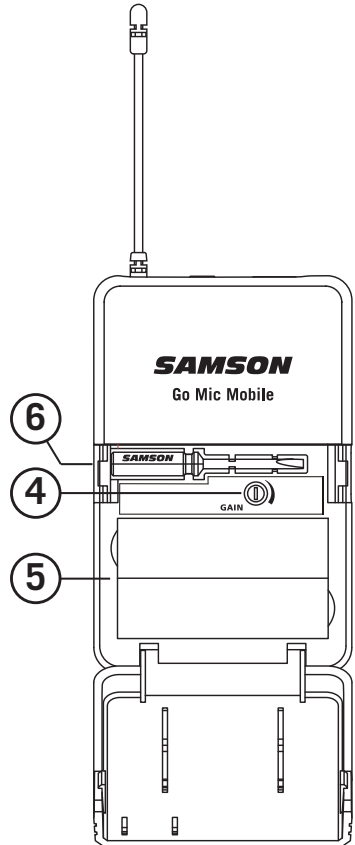
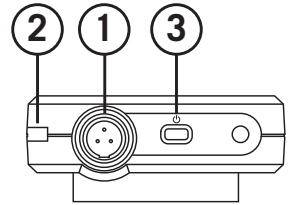
## Leyendas del Transmisor de Mano HXD2

1. **Indicador de estado** - Este LED muestra el modo de operación:
2. **Botón de Encendido/Sincronización** - Pulse <5 segundos para encender o apagar la unidad. Pulse >5 segundos para entrar en el modo de sincronización.
3. **Tapa de la pila** - Desatornille la tapa de la pila y deslice hacia abajo para abrir el compartimento para pilas del Transmisor de Mano de Go Mic Mobile.
4. **Soporte de la pila** - Abra el soporte de la pila pulsando la pestaña y levantando la tapa. Inserte aquí dos pilas AA (LR6) estándar, asegurándose de respetar los indicadores de polaridad (+/-) que se muestran.  
**ADVERTENCIA:** No inserte las pilas al revés, hacerlo podría provocar graves daños al PXD2 y anularía su garantía.
5. **Control GAIN (ganancia) de entrada** - Este control ajusta la sensibilidad de entrada del transmisor. Este control de la sensibilidad de entrada está configurado por defecto en fábrica para proporcionar el nivel óptimo de la cápsula del micrófono en particular que se proporciona con el sistema Go Mic Mobile y, por lo tanto, recomendamos que no ajuste este control manualmente. De todos modos, si es necesario, puede utilizar el destornillador de plástico incluido para aumentar o disminuir el nivel de entrada.
6. **Destornillador de plástico** - Utilice para ajustar el control GAIN (ganancia) de entrada.



## Leyendas del Transmisor de cintura PXD2

1. **Conector de entrada** - Conecte el dispositivo de entrada mediante el conector mini-XLR. El PXD2 se suministra con un micrófono de corbata.
2. **Indicador de estado** - Este LED muestra el modo de operación:
3. **Botón de Encendido/Sincronización** - Pulse <5 segundos para encender o apagar la unidad. Pulse >5 segundos para entrar en el modo de sincronización.
4. **Control GAIN (ganancia) de entrada** - Este control ajusta la sensibilidad de entrada del transmisor.
5. **Soporte de la pila** - Inserte aquí dos pilas AA (LR6) estándar, asegurándose de respetar los indicadores de polaridad (+/-) que se muestran.  
**ADVERTENCIA:** No inserte las pilas al revés, hacerlo podría provocar graves daños al PXD2 y anularía su garantía.
6. **Destornillador de plástico** - Utilice para ajustar el control GAIN (ganancia) de entrada.





## Empezando - Sincronización

El Sistema Go Mic Mobile viene sincronizado de fábrica. Si necesita re-sincronizar el sistema por cualquier motivo, siga los pasos siguientes:

1. Encienda el Receptor Go Mic Mobile (GMM) y el transmisor Go Mic Mobile presionando el botón de Encendido/Sincronización menos de 5 segundos.
2. En el GMM, presione y mantenga presionado el botón de Encendido/Sincronización durante más de 5 segundos. El LED de CH 1 empezará a iluminarse lentamente.
3. En el transmisor Go Mic Mobile, pulse y mantenga pulsado el botón de Encendido/Sincronización durante más de 5 segundos. El LED del transmisor empezará a iluminarse lentamente.
4. Cuando el receptor y el transmisor estén sincronizados los LEDs emitirán un rápido destello y el transmisor brillará con un sólido color verde, y el LED CH 1 del GMM, con un sólido color blanco. El LED CH 2 del Receptor Go Mic Mobile empezará ahora a iluminarse lentamente.
5. Para sincronizar un segundo transmisor, pulse y mantenga pulsado el botón de Encendido/Sincronización durante más de 5 segundos. El LED del transmisor empezará a iluminarse lentamente. Cuando el receptor y el transmisor estén sincronizados los LEDs emitirán un rápido destello y el indicador del segundo transmisor brillará con un sólido color verde, y el LED CH 2 del GMM, con un sólido color blanco.  
Nota: si no quiere sincronizar un segundo transmisor, el receptor saldrá del modo de sincronización automáticamente al cabo de 20 segundos.
7. Para re-sincronizar los transmisores sincronizados con el Receptor Go Mic Mobile, pulse y mantenga pulsado el botón de Encendido/Sincronización durante más de 5 segundos. El receptor borrará los transmisores sincronizados actuales y entrará en modo sincronización. Si no hay ningún transmisor sincronizado con el receptor, el GMM se interrumpirá y volverá al estado de sincronización previo.

**Nota: cuando sincronice su Sistema Go Mic Mobile asegúrese de que solo un receptor GMM está encendido y de que solo tiene un micrófono en modo sincronización al mismo tiempo.**

## Empezando - Conexiones de audio

Go Mic Mobile puede conectarse a un smartphone utilizando la salida digital USB Micro o una salida analógica de 3,5mm.

### **Conexión a un dispositivo iOS (iPhone, iPad o iPod Touch)**

Use el cable eléctrico incluido en el Micro USB, conecte el cable al jack de salida audio USB al conector eléctrico en el dispositivo iOS. Una vez conectado, el dispositivo iOS reconocerá el Sistema Go Mic Mobile como dispositivo de audio de entrada.

Abra una aplicación de vídeo o grabación y empiece a grabar.

*Nota: se recomienda que ponga su dispositivo iOS en modo No molestar o modo Avión para eliminar la posibilidad de que se interrumpa la grabación de audio o vídeo con una llamada telefónica. Salga del modo Avión para que la información geográfica se aplique a sus archivos de vídeo.*

### **Conexión a un dispositivo Android con la salida de audio digital**

Go Mic Mobile le ofrece compatibilidad de audio digital con dispositivos Android que se ejecuten con Android 5.0 (Lollipop) o posteriores, que permiten conectividad USB con audio digital. No todas las aplicaciones de Android permiten el audio USB, y es posible que necesite descargar una aplicación de un tercero para poder utilizar esta característica. Para conectar utilizando el jack de salida audio USB, asegúrese de que su dispositivo Android puede aceptar la entrada de audio digital. Usando el cable Micro USB con el USB tipo-C, o Micro USB con el cable Micro USB, conecte el cable a la salida de audio Micro USB en el GMM y la entrada del USB al dispositivo móvil Android.

### **Conexión con un dispositivo móvil con la salida de audio analógica**

Si su dispositivo móvil no acepta una entrada de audio digital, el GMM puede conectarse usando una salida analógica de 3,5mm. Al conectar a un smartphone necesitará configurar el botón de selección de salida analógica a la posición de salida 1 (Out 1) o salida 2 (Out 2). Para la mayoría de smartphones la posición de salida 1 (Out 1 [CTIA / AHJ]) es la salida adecuada. Si su dispositivo móvil usa un cable OMTP para la entrada, utilice la posición de salida 2 (Out 2). Para más información sobre las conexiones de smartphones visite [www.samsontech.com/support/go-mic-mobile](http://www.samsontech.com/support/go-mic-mobile)

### **Conexión a un DSLR, cámara de cine, o mezcladora**

Cuando quiera conectar GMM a una cámara DSLR, una cámara de cine o una mezcladora, use la salida de audio analógica de 3,5mm incluida. Ponga el Selector de Salida en la posición Auriculares/Línea.

### **Monitorizar con Go Mic Mobile**

La salida de GMM 3,5mm puede usarse para controlar o monitorizar el audio transmitido al receptor. La salida de los auriculares sigue el botón MIX / 2 CH. El nivel de los auriculares está controlado por el botón deslizante VOL y sigue el nivel de salida de la Salida de Audio USB.

# Empezando - Configuración del sistema de volumen

Un buen audio puede mejorar muchísimo un vídeo de poca calidad, pero una mala calidad de audio puede estropear un vídeo sea cual sea la calidad de este último. Con el fin de conseguir los mejores resultados al añadir el audio a un vídeo con Go Mic Mobile, es importante prestar atención a la graduación de ganancia de los transmisores y el receptor. Si el señal es demasiado alto puede sobrecargarse o crear distorsiones. Y al revés, si el señal es demasiado bajo, necesitará elevarlo en la postproducción, lo que puede añadir ruido de fondo.

Los LEDs del CH 1 y CH 2 del Receptor GMM incluyen un indicador de picos o sobrecarga para cuando se sobrecarga el receptor (señal enviado desde el transmisor). Para configurar los niveles de los transmisores, gire el control de Ganancia (dentro del compartimento de las pilas) hasta llegar a un buen nivel de grabación, mientras habla a través del Transmisor de Go Mic Mobile. Si el indicador del CH correspondiente parpadea con una luz roja, disminuya el control de Ganancia (dentro del compartimento de las pilas) hasta que la luz roja desaparezca o solo produzca destellos ocasionales con señales muy altos.

Cuando ajuste el nivel del transmisor, lleve a cabo una grabación de prueba para configurar el nivel del Receptor GMM. Si la aplicación de grabación tiene un contador de entrada, ajuste el control de VOL del Receptor GMM hasta que el contador se acerque a 0 dB (o parpadee), tan cerca como sea posible, pero sin que se apague.

*Nota: el control de VOL del receptor no afecta a la configuración de ganancia del transmisor. Por ejemplo, si los transmisores están enviando un señal distorsionado, disminuir el volumen de recepción no hará que el audio suene mejor, solo reducirá el nivel global del señal distorsionado.*

## Botón MIX / 2 CH

El Receptor GMM puede sincronizarse con dos transmisores a la vez para recibir audio de dos fuentes de sonido independientes. El botón MIX / 2 CH selecciona cómo se enviará el audio a las salidas de audio del receptor.

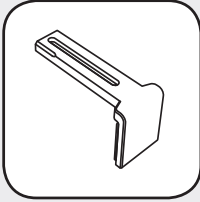
En la posición MIX los dos canales se mezclan en mono en las dos pistas de audio, izquierda y derecha.

En la posición del botón 2 CH, el transmisor CH 1 está en el canal de audio izquierdo y el transmisor CH 2 está en el canal de audio derecho. En el modo 2 CH, las entradas pueden dirigirse a una pista distinta en un software de grabación de un ordenador al crear pistas individuales de las entradas derecha e izquierda, o al separar el audio estéreo de una grabación de vídeo para editar los canales separadamente en la postproducción.

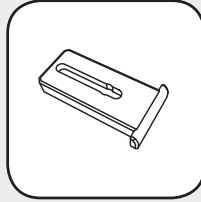
El botón MIX / 2 CH mezcla el audio antes de las salidas de audio del Receptor GMM. No hay cambios de software en la aplicación de filmación o grabación en un smartphone, una cámara o un ordenador.

# Instrucciones de montaje de Go Mic Mobile

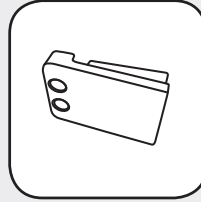
## Accesorios de montaje



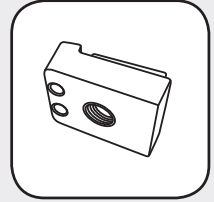
Brazo de montaje ajustable



Tapa



Brazo de montaje



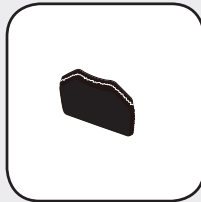
Brazo de montaje 1/4"-20



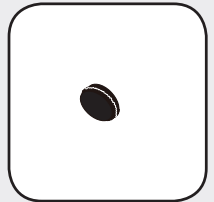
Adaptador de zapata



Tuerca



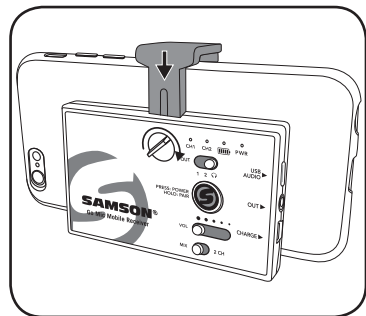
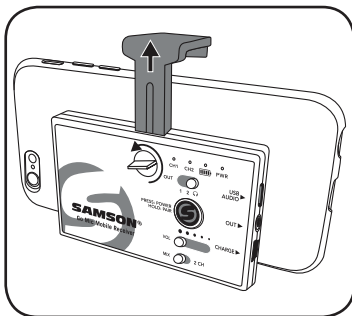
Pieza grande del gancho y bucle



Pieza pequeña del gancho y bucle

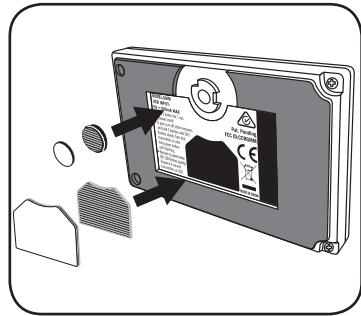
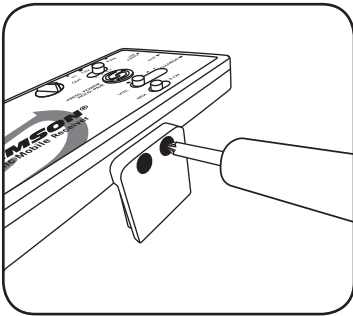
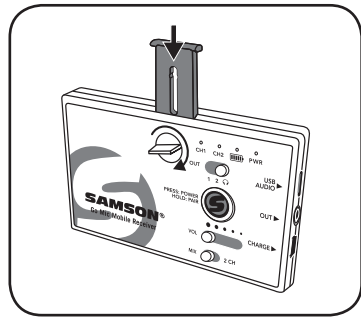
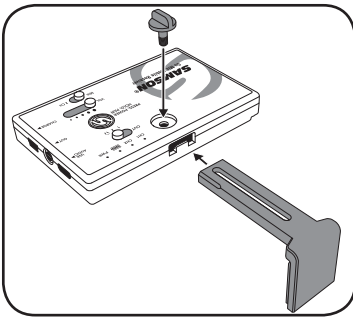
## Montado en un Smartphone

1. Afloje el tornillo de fijación hasta que pueda mover el brazo de montaje.
2. Coloque el receptor en la parte de atrás del smartphone.
3. Deslice el brazo de montaje ajustable hasta que quede fijo con el borde del smartphone.
4. Aplique presión al brazo de montaje ajustable y apriete el tornillo de fijación.



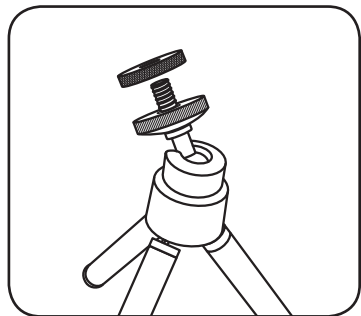
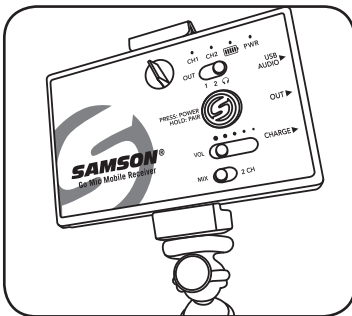
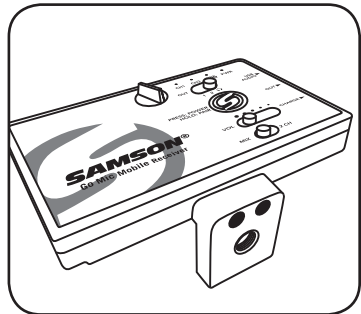
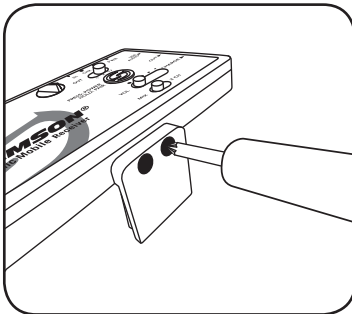
## Montado en una tableta

1. Afloje totalmente y saque el tornillo de fijación.
2. Deslice y quite el brazo de montaje ajustable.
3. Deslice la tapa en el receptor y apriete el tornillo de fijación
4. Quite el brazo de montaje fijo sacando primero los dos tornillos de estrella.
5. Coloque la pieza grande del gancho y bucle quitando primero la cobertura del adhesivo en la parte del gancho y situando la sección grande del gancho y bucle en la parte de atrás del Receptor Go Mic Mobile.
6. Elimine la cobertura de la parte del bucle y coloque el receptor en la parte trasera de la tablet.
7. Presione el Receptor Go Mic Mobile contra la tablet para asegurarlo.
8. Si el Receptor Go Mic Mobile Receiver no queda fijo, use la sección pequeña del gancho y bucle.



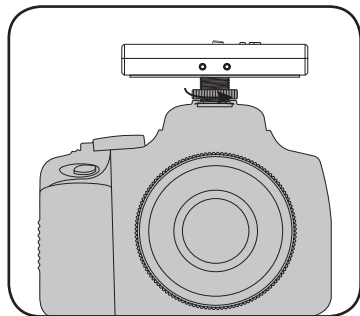
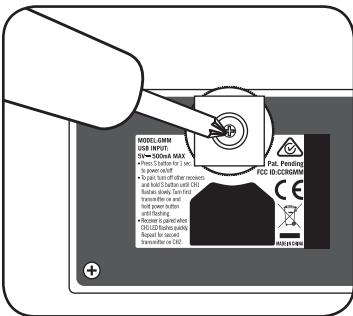
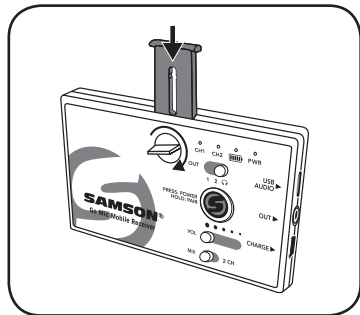
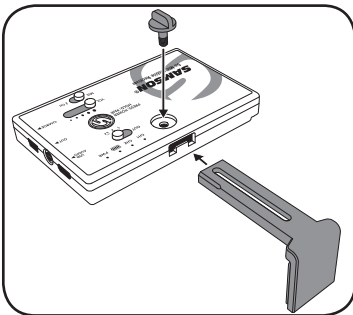
## Montado en un trípode

1. Junte el brazo de montaje 1/4"-20 al Receptor Go Mic Mobile sacando primero el brazo de montaje fijo (desatornillar los dos tornillos de estrella).
2. Una el GMM al trípode siguiendo las instrucciones de montaje del trípode.
3. Si el perno de montaje 1/4"-20 del trípode es más largo de 3/8", utilice la tuerca incluida antes de montar el Receptor Go Mic Mobile en el trípode.
4. Una el smartphone al Receptor Go Mic Mobile siguiendo las instrucciones de la sección titulada "**Montado en un Smartphone**".



## Unión con un adaptador de zapata

1. Quite el brazo de montaje fijo sacando primero los dos tornillos.
2. Saque el brazo de montaje ajustable al aflojar el tornillo de fijación, deslizar el brazo a la posición cerrada y luego desatornillando completamente y sacando el tornillo de fijación.
3. Deslice el brazo de montaje y sáquelo del receptor. Cambie el brazo de montaje ajustable por la tapa.
4. Cambie el tornillo de fijación
5. Coloque el adaptador de zapata incluido en el fondo del Receptor Go Mic Mobile; note que el adaptador de zapata se acopla, por lo que permanecerá en la misma posición cuando lo una al receptor.
6. Usando un destornillador de estrella, apriete el adaptador de zapata al receptor al atornillar el tornillo incluido.
7. Deslice el Receptor GMM en la montura de zapata del dispositivo a conectar.
8. Una vez colocado, apriete la tuerca grande en la montura de zapata del receptor para que quede fijado.



## Especificaciones

### Sistema Inalámbrico Go Mic Mobile

Alcance de funcionamiento	100' (30m) de línea visual
Frecuencia de funcionamiento	2.406 ~ 2.478 GHz
Respuesta de frecuencia	10 Hz – 22 kHz
Temperatura de funcionamiento	-10°C ~ +50°C
Versión de Firmware	V1.0
Versión de Hardware	V1.0
Señal-ruido	90 dB (A) mic a la ganancia mínima 78 dB (A) mic a la ganancia máxima
Accesorios	Cable eléctrico Micro USB, cable Micro USB a Micro USB, cable Micro USB a USB-C, cable Mini-B USB a USB-A, cable de audio 3,5mm, adaptador de zapata

### Receptor GMM

Máx. Nivel de salida de audio analógico	+6 dBu, =4.4 Vpp, =70 mW por lado en 32Ω
Ratio de muestra de audio USB	48 kHz
Soporte de audio USB	Windows, Mac OS, iOS, Android, Linux
Vida útil de la pila	7 – 13 horas en función del uso
Potencia	Pila interna recargable de iones de litio
Voltaje de funcionamiento	5V DC 500mA

### Transmisor de mano HXD2

Tipo de micrófono	Unidireccional
Potencia de RF	<10 mW EIRP
Requisitos de alimentación	Dos pilas alcalinas AA (LR6)
Vida útil de la pila	20 horas

### Transmisor de cintura PXD2

Conector de entrada	Mini-XLR (P3)
RF Power	<10 mW EIRP
Requisitos de alimentación	Dos pilas alcalinas AA (LR6)
Vida útil de la pila	20 horas

*En Samson estamos continuamente mejorando nuestros productos; por lo tanto, las especificaciones e imágenes están sujetas a cambios sin previo aviso.*



## **Declaración**

“Made for iPod”, “Made for iPhone” y “Made for iPad” significa que un accesorio electrónico se ha diseñado para conectar específicamente a un iPod, iPhone o iPad, respectivamente, y que su desarrollador ha comprobado que cumple con los estándares de funcionamiento de Apple. Apple no se hace responsable del funcionamiento de este dispositivo o de su cumplimiento con los estándares de seguridad y regulación. Note que el uso de este accesorio con iPod, iPhone o iPad puede afectar al funcionamiento sin cables.

iPad, iPhone y iPod touch son marcas registradas de Apple Inc., registradas en los EE.UU. y otros países. iPad Air y iPad mini son marcas registradas de Apple Inc. La marca registrada “iPhone” se usa con licencia de Aiphone K.K.

Made for

iPhone 7 Plus, iPhone 7, iPhone SE, iPhone 6s Plus, iPhone 6s, iPhone 6 Plus, iPhone 6, iPhone 5s, iPhone 5c, iPhone 5

iPad Pro (9,7 pulgadas), iPad Pro (12,9 pulgadas), iPad mini 4, iPad Air 2, iPad mini 3, iPad Air, iPad mini 2, iPad mini, iPad (4ª generación)

iPod touch (6ª generación), iPod touch (5ª generación)

## Importanti indicazioni di sicurezza



**ATTENZIONE  
RISCHIO DI FOLGORAZIONE!  
NON APRIRE!**

ATTENZIONE: PER RIDURRE IL RISCHIO DI SCOSSA ELETTRICA, NON RIMUOVERE LA COPERTURA (O IL RETRO). ALL'INTERNO NON SONO PRESENTI PARTI RIPARABILI DALL'UTENTE. AFFIDARE QUALSIASI RIPARAZIONE A PERSONALE QUALIFICATO.

### AVVERTENZA

PER PREVENIRE IL RISCHIO DI INCENDIO O SCOSSA ELETTRICA. NON USARE QUESTA SPINA CON UN CAVO DI PROLUNGA O PRESE DI ALTRO TIPO, A MENO CHE LE LAMELLE NON POSSANO ESSERE INSERITE COMPLETAMENTE PER EVITARNE L'ESPOSIZIONE. PER PREVENIRE IL RISCHIO DI INCENDIO O SCOSSA ELETTRICA. NON ESPORRE L'APPARECCHIO A PIOGGIA O UMIDITÀ. PER PREVENIRE IL RISCHIO DI SCOSSA ELETTRICA, INSERIRE COMPLETAMENTE LA LAMELLA LARGA NELLA FESSURA CORRISPONDENTE.



Il prodotto non va smaltito con i rifiuti domestici generici. Esiste un sistema di raccolta separata per gli apparecchi elettronici usati, conformemente alla legislazione che ne impone il corretto trattamento, recupero e riciclaggio.

■ Gli utenti privati dei 28 stati membri dell'UE, Svizzera e Norvegia possono portare gratuitamente i propri apparecchi elettronici usati presso le apposite strutture di raccolta o al rivenditore (quando si acquista un nuovo prodotto simile).

Gli utenti privati dei Paesi non compresi tra quelli summenzionati devono contattare le autorità locali per conoscere la corretta modalità di smaltimento.

In questo modo il prodotto sarà sottoposto al trattamento, recupero e riciclaggio necessari, prevenendo i potenziali effetti negativi sull'ambiente e la salute umana.



Il simbolo del fulmine con punta a forma di freccia all'interno di un triangolo equilatero indica la presenza di tensione pericolosa non isolata all'interno del prodotto di potenza tale da costituire rischio di folgorazione.



Il punto esclamativo all'interno di un triangolo equilatero indica la presenza di istruzioni importanti sul funzionamento o la manutenzione dell'apparecchio nella documentazione fornita insieme al prodotto.

## Importanti indicazioni di sicurezza

1. Leggere queste istruzioni.
2. Conservare queste istruzioni.
3. Osservare tutte le avvertenze.
4. Seguire tutte le istruzioni.
5. Non usare l'apparecchio in prossimità di acqua.
6. Pulire esclusivamente con un panno asciutto.
7. Non bloccare le aperture di ventilazione. Installare secondo le istruzioni del costruttore.
8. Non installare in prossimità di fonti di calore come radiatori, diffusori di aria calda, stufe o altri apparecchi (amplificatori compresi) che producono calore.
9. Non rimuovere gli elementi di sicurezza della spina polarizzata o con messa a terra. Una spina polarizzata è dotata di due lamelle, di cui una più larga dell'altra. Una spina con messa a terra è dotata di due lamelle e un terzo contatto di terra. La lamella larga e quella di messa a terra sono dispositivi di sicurezza. Se la spina fornita non si adatta alla presa di corrente, consultare un elettricista per sostituire la presa.
10. Installare il cavo di alimentazione affinché non venga calpestato o schiacciato, in particolare in corrispondenza della spina, dalla presa e del punto di uscita dall'apparecchio.
11. Usare esclusivamente accessori raccomandati dal costruttore.
12. Usare esclusivamente con il carrello, stand, treppiede, supporto o tavolo specificato dal costruttore o venduto insieme all'apparecchio. Quando si utilizza un carrello, prestare attenzione durante lo spostamento della combinazione carrello/apparecchio per evitare lesioni dovute al ribaltamento.
13. Scollegare l'apparecchio dalla rete elettrica durante i temporali o in caso di mancato utilizzo per periodi prolungati.
14. Affidare qualsiasi intervento di assistenza a personale qualificato. È necessario un intervento se l'apparecchio ha subito danni di qualsiasi tipo, ad esempio al cavo di alimentazione o alla spina, se è caduto, è stato esposto a pioggia o umidità, se al suo interno sono penetrati liquidi o oggetti, o se non funziona correttamente.
15. Non esporre l'apparecchio a schizzi o gocce d'acqua e non collocare oggetti pieni d'acqua, ad esempio vasi, sull'apparecchio.
16. Attenzione! Per evitare il rischio di scossa elettrica, inserire completamente la lamella larga nella fessura corrispondente.
17. Assicurare una buona ventilazione intorno all'intera unità.
18. L'adattatore CA è utilizzato come dispositivo di disconnessione principale, e deve rimanere sempre accessibile.
19. Non esporre le batterie (gruppo batteria o batterie installate) a calore eccessivo come luce solare, fuoco, ecc.



## Importanti indicazioni di sicurezza

### Nota FCC

1. Questo dispositivo è conforme con la Parte 15 delle norme FCC. Il funzionamento è subordinato alle due condizioni seguenti:
  - (1) Questo dispositivo non può causare interferenze dannose.
  - (2) Questo dispositivo deve accettare qualsiasi interferenza ricevuta, incluse interferenze che possano causare un funzionamento indesiderato.
2. Cambiamenti o modifiche non approvati espressamente dalla parte responsabile della conformità possono rendere nulla l'autorità dell'utente a utilizzare l'apparecchio.

### Nota FCC

Questo apparecchio è stato testato ed è risultato conforme ai limiti previsti per i dispositivi digitali di classe B secondo la Parte 15 delle norme FCC. Tali limiti sono concepiti per garantire una ragionevole protezione contro interferenze dannose in un impianto residenziale.

Questo apparecchio genera, usa e può irradiare energia in radiofrequenza e, se installato e usato non conformemente alle istruzioni, può provocare interferenze dannose alle comunicazioni radio. Tuttavia, non si fornisce alcuna garanzia sull'assenza di interferenze in particolari impianti. Se l'apparecchio causa interferenze dannose alla ricezione radiofonica o televisiva, verificabili spegnendo e accendendo l'apparecchio, si invita l'utente a tentare di risolvere il problema ricorrendo a una o più delle seguenti misure:

- Riorientare o spostare l'antenna ricevente.
- Aumentare la distanza tra l'apparecchiatura e il ricevitore.
- Collegare l'apparecchio a una presa collocata su un circuito diverso da quello a cui è collegato il ricevitore.
- Contattare il rivenditore o un tecnico radio/TV per assistenza.

### Dichiarazione di esposizione alle radiofrequenze (SAR)

Questo dispositivo è stato progettato e prodotto in modo tale da non superare i limiti di esposizione alle radio frequenze (RF) stabiliti dalla Federal Communications Commission del Governo degli Stati Uniti.

L'esposizione standard dei dispositivi wireless impiega un'unità di misura nota come tasso di assorbimento specifico o SAR. Il limite SAR stabilito dalla FCC è pari a 1.6W/kg. I test relativi al SAR sono condotti utilizzando posizioni operative standard accettate dalla FCC impostando il dispositivo in modo che trasmetta al suo livello di potenza massimo nominale certificato su bande di frequenza testate.

Mantenere la conformità con i requisiti di esposizione RF della FCC

La somma massima del SAR è stata pari a: 0.90W/Kg 1g Body SAR per GMM, 0.61W/Kg 1g Body SAR per HXD2, 0.48W/Kg 1g Body SAR per PXD2.

**AVVERTENZA:** Non esporre la batteria (batteria, batterie o accumulatore) a un livello di calore eccessivo dovuto a luce del sole, fuoco o simili.

Con il presente documento, Samson Technologies Corp. dichiara che il dispositivo wireless Go Mic Mobile è conforme ai requisiti essenziali e alle altre disposizioni rilevanti della direttiva 2014/53/UE. La dichiarazione di conformità può essere consultata all'indirizzo

[http://www.samsontech.com/site\\_media/support/manuals/GMM\\_DOC.pdf](http://www.samsontech.com/site_media/support/manuals/GMM_DOC.pdf)



## Introduzione

Grazie per aver acquistato il sistema wireless Go Mic Mobile di Samson. Il Go Mic Mobile è un doppio sistema wireless progettato per offrire audio di qualità professionale per video mobili. Collega e mixa due trasmettitori al GMM e trasforma il tuo dispositivo mobile in uno studio di produzione video completo. È la soluzione ideale per giornalisti, registi, videografi o per chiunque desideri aggiungere audio wireless ai propri progetti video.

Il Go Mic Mobile include tutti i cavi necessari per collegare il ricevitore Go Mic Mobile (GMM) a uno smartphone o a una videocamera digitale (con un ingresso audio). Il Go Mic Mobile funziona con dispositivi iOS, Android, Mac OS e Windows. I bracci di bloccaggio consentono di montare il ricevitore Go Mic Mobile direttamente alla parte posteriore di uno smartphone, senza intralciare l'obiettivo del telefono. I bracci possono essere rimossi per fissare il ricevitore a un tablet (servendosi delle fascette con velcro in dotazione) o per fissarlo a una videocamera servendosi dell'adattatore per attacco a slitta in dotazione.

Queste pagine forniscono la descrizione dettagliata delle caratteristiche del sistema wireless Go Mic Mobile, istruzioni passo-passo per la sua configurazione e l'uso, e specifiche tecniche complete. Se il sistema wireless è stato acquistato negli Stati Uniti, è allegata una scheda di registrazione: compilarla seguendo le istruzioni per ricevere assistenza tecnica online e informazioni aggiornate su questo e altri prodotti Samson in futuro. Inoltre, è possibile visitare il sito web [www.samsontech.com](http://www.samsontech.com) per informazioni complete sulla nostra linea di prodotti.

Si raccomanda di conservare i seguenti dati come riferimento, oltre a una copia della ricevuta di acquisto.

Numero di serie di trasmettitore e ricevitore: \_\_\_\_\_

Data di acquisto: \_\_\_\_\_

In caso di domande o commenti sul sistema di microfono wireless Go Mic Mobile o qualsiasi altro prodotto di Samson, contattateci senza esitazioni all'indirizzo [support@samsontech.com](mailto:support@samsontech.com).

Seguendo le istruzioni per la cura e la manutenzione, il sistema wireless Go Mic Mobile funzionerà senza problemi per diversi anni. Per eventuali interventi di assistenza sul Go Mic Mobile, è necessario ottenere un numero di autorizzazione al reso (RA) prima di inviare il prodotto a Samson. Senza tale numero il prodotto non sarà preso in carico. Recarsi alla pagina [www.samsontech.com/ra](http://www.samsontech.com/ra) per ottenere un numero RA prima di inviare il prodotto. Conservare i materiali da imballaggio originali e, se possibile, inviare il prodotto nel suo imballo originale. Se il sistema wireless Go Mic Mobile è stato acquistato fuori dagli Stati Uniti, contattare il distributore locale per dettagli sulla garanzia e informazioni sull'assistenza.

## Ricarica della batteria del ricevitore del Go Mic Mobile

Il ricevitore Go Mic Mobile presenta una batteria ricaricabile agli ioni di litio. Il ricevitore viene ricaricato tramite il jack Mini USB situato sul lato del ricevitore.

Per caricare il ricevitore, servirsi del cavo di ricarica USB in dotazione e dell'adattatore CA. La ricarica può essere anche eseguita con adattatori CA da 5V di terzi, oppure collegando gli apparecchi a una porta USB standard del computer.

Il tempo totale per una ricarica completa è di 3 ore se si utilizza un caricabatterie rapido o una porta USB di ricarica rapida (con un simbolo del fulmine accanto), ma se collegato a una "porta USB standard del computer" occorreranno 10 ore. La durata massima della batteria a piena carica è di circa 7–13 ore.

Nota: il ricevitore del Go Mic Mobile non si ricarica tramite la porta Micro USB, quindi il livello della batteria cala se collegato a un computer. Se si desidera alimentare il ricevitore mentre è collegato a un dispositivo, occorrerà collegare anche la porta Mini USB al computer o a un adattatore CA.

### **Come sfruttare al massimo la batteria ricaricabile:**

- Ricaricare completamente la batteria prima del primo utilizzo.
- Ricaricare completamente la batteria prima di ogni utilizzo.
- Una volta caricata la batteria, scollegare l'adattatore dalla presa.
- La temperatura ideale di utilizzo e conservazione della batteria è compresa tra 10°C e 30°C (da 50°F a 86°F). Le prestazioni e la durata della batteria possono diminuire a temperature inferiori a 10°C (50°F).
- Per prolungare la durata di vita della batteria, spegnere il ricevitore Go Mic Mobile quando non è in uso.

## Go Mic Mobile Receiver (GMM) – Descrizione

### 1. Tasto di accensione/collegamento (power/pair) –

Tenere premuto questo tasto per meno di 5 secondi per accendere o spegnere l'unità. Tenerlo premuto per più di 5 secondi per entrare in modalità di collegamento.

Nota: il ricevitore e il trasmettitore del Go Mic Mobile sono pre-collegati di fabbrica.

### 2. Interruttore di selezione uscita analogica –

Configura il cablaggio dell'uscita analogica. Le posizioni OUT 1 & 2 sono indicate per il collegamento all'ingresso cuffie TRRS di uno smartphone. L'uscita cuffie/linea è indicata al collegamento del ricevitore a una videocamera, a un mixer o alle cuffie.

3. **Comando VOL** – Questo cursore imposta il livello del segnale audio inviato alle uscite digitali e analogiche del ricevitore.

4. **Interruttore MIX / 2 CH** – Imposta l'uscita audio del ricevitore per un mono misto o per una divisione sinistra e destra.

5. **Indicatori CH 1 & CH 2** – Quando sono accesi di colore bianco, i LED indicano che il ricevitore è collegato a un trasmettitore. Quando l'ingresso del trasmettitore o l'uscita del ricevitore sono tagliati, i LED lampeggiano di rosso.

6. **Spia di carica della batteria** – La spia diventa verde quando la batteria è carica, rossa quando la batteria è scarica e arancione quando la batteria è in carica.

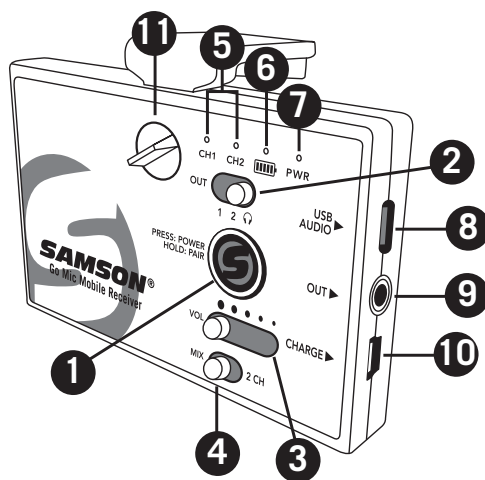
7. **Spia di alimentazione** – Questa spia diventa verde quando il ricevitore del Go Mic Mobile è acceso.

8. **Uscita AUDIO USB** – Servirsi di questa uscita per il collegamento a un ingresso audio digitale.

9. **Jack OUT** – Servirsi di questo jack da 3,5 mm per il collegamento a un ingresso analogico o alle cuffie.

10. **Porta di CARICA USB** – Servirsi di questo jack Mini USB per collegare il ricevitore del Go Mic Mobile all'adattatore CA in dotazione e caricarne la batteria interna.

11. **Vite di bloccaggio** – Girare a sinistra per allentare la vite e regolare il braccio di montaggio. Girare a destra per bloccare in posizione il braccio di montaggio.

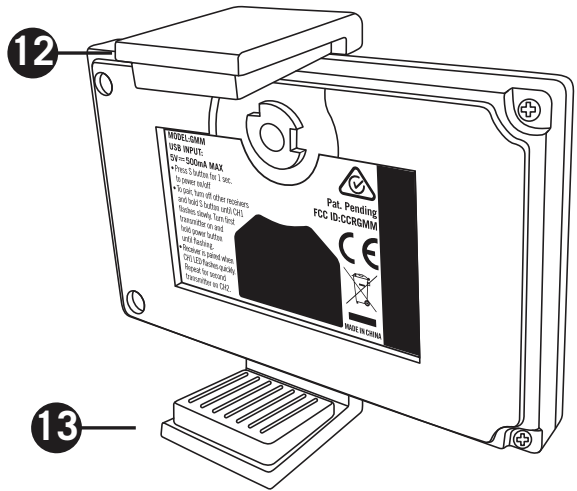


## Ricevitore Go Mic Mobile (GMM) – Descrizione

### 12. Braccio di montaggio regolabile –

Questo braccio di montaggio è regolabile per fissare il ricevitore GMM a uno smartphone. Per regolare, allentare la vite di bloccaggio in cima al ricevitore GMM. Per fissare il braccio in posizione, stringere la vite di bloccaggio.

Nota: è possibile rimuovere il braccio di montaggio regolabile allentando la vite di bloccaggio, facendo scorrere il braccio in posizione chiusa e quindi allentando completamente la vite di bloccaggio per poi staccarlo. Ora far scorrere il braccio di montaggio fuori dal ricevitore GMM e riposizionare la vite di bloccaggio.



### 13. Braccio di montaggio fisso –

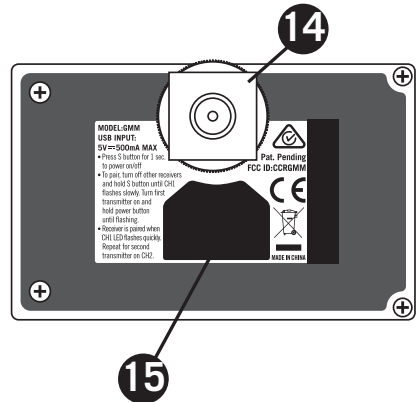
Il braccio di montaggio fisso serve per fissare il ricevitore GMM a uno smartphone. Un adattatore da 1/4"-20 è in dotazione per il montaggio del GMM a un treppiede standard per videocamera. Per rimuovere il braccio di montaggio fisso, svitare le due viti con testa a croce.

### 14. Adattatore attacco a slitta -

Questo adattatore rimovibile con attacco a slitta serve per il collegamento del ricevitore GMM a una videocamera o a una macchina da presa portatile.

### 15. Area di fissaggio a strappo -

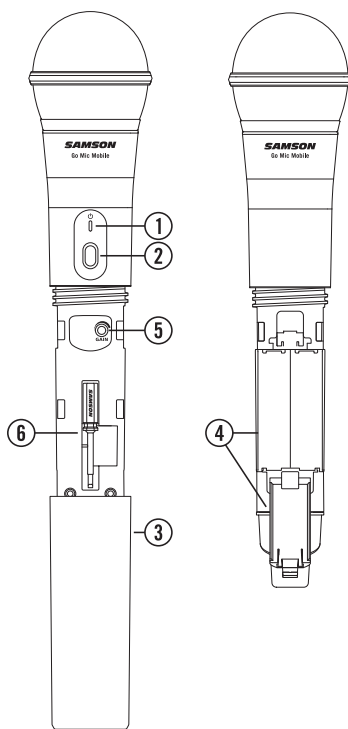
Servirsi dei pezzi di velcro autoadesivo in dotazione per fissare il GMM a un tablet. Prima di fissare il GMM a un tablet, rimuovere i bracci di montaggio standard e/o l'adattatore a slitta.





## Trasmettitore Handheld HXD2 – Descrizione

- 1. Spia di stato** – Questo LED mostra a display la modalità di funzionamento.
- 2. Interruttore di accensione/collegamento (power/pair)** – Tenere premuto questo tasto per meno di 5 secondi per accendere o spegnere l'apparecchio. Premerlo per più di 5 secondi per entrare in modalità di collegamento.
- 3. Coperchio batterie** – Svitare il coperchio e farlo scorrere verso il basso per aprire il vano batterie del Go Mic Mobile.
- 4. Vano batterie** – Aprire il vano batterie premendo la linguetta e sollevando il coperchio. Inserire due batterie AA (LR6) standard, prestando attenzione ai simboli di polarità +/- indicati.  
AVVERTENZA: non inserire le batterie al contrario per evitare gravi danni al trasmettitore e l'annullamento della garanzia.
- 5. Controllo GAIN in ingresso** – Questo controllo regola la sensibilità di ingresso del trasmettitore. Il comando è stato preconfigurato di fabbrica in modo da offrire il livello ottimale per la speciale capsula per microfono fornita con il sistema Go Mic Mobile. Per questo motivo consigliamo di non regolarlo manualmente. Se necessario, tuttavia, sarà possibile utilizzare il cacciavite in plastica in dotazione per alzare o abbassare il livello di ingresso.
- 6. Cacciavite in plastica** – Serve a regolare il controllo GAIN di ingresso.



ENGLISH

FRANÇAIS

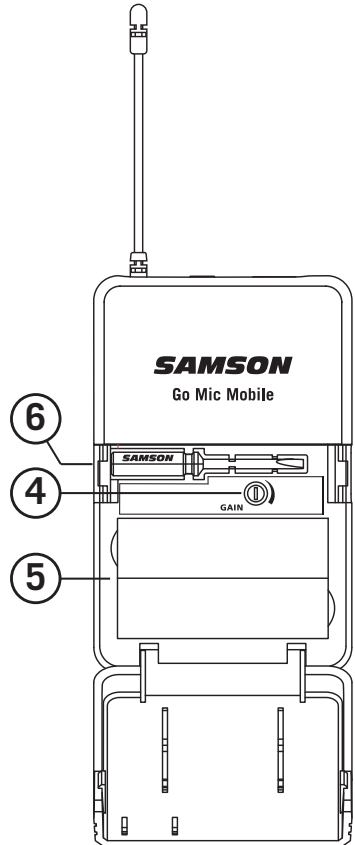
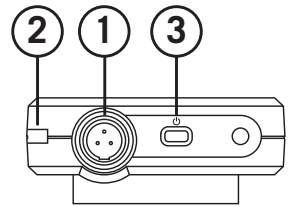
DEUTSCHE

ESPAÑOL

ITALIANO

## Trasmettitore Belt Pack PXD2 – Descrizione

1. **Porta di ingresso** – Collegare il dispositivo di ingresso tramite il connettore mini-XLR. Con il PXD2 è fornito un microfono lavalier.
2. **Spia di stato** – Questo LED mostra a display la modalità di funzionamento.
3. **Interruttore di accensione/collegamento (power/pair)** – Tenere premuto questo tasto per meno di 5 secondi per accendere o spegnere l'apparecchio. Premerlo per più di 5 secondi per entrare in modalità di collegamento.
4. **Controllo GAIN in ingresso** – Questo controllo regola la sensibilità di ingresso del trasmettitore.
5. **Vano batterie** – Inserire due batterie AA (LR6) standard, prestando attenzione ai simboli di polarità +/- indicati.  
**AVVERTENZA:** non inserire le batterie al contrario per evitare gravi danni al PXD2 e l'annullamento della garanzia.
6. **Cacciavite in plastica** – Serve a regolare il controllo GAIN di ingresso.



## Primi passi – Collegamento

Il sistema Go Mic Mobile è fornito pre-collegato di fabbrica. Se, per qualsiasi motivo, occorre ricollegare il sistema, procedere come segue:

1. Accendere il ricevitore Go Mic Mobile (GMM) e il trasmettitore Go Mic Mobile premendo i rispettivi tasti Power/Pair per meno di 5 secondi.
2. Sul GMM, tenere premuto il tasto Power/Pair per più di 5 secondi. Il LED CH1 inizia a lampeggiare lentamente.
3. Sul trasmettitore Go Mic Mobile, tenere premuto il tasto Power/Pair per più di 5 secondi. Il LED del trasmettitore inizia a lampeggiare lentamente.
4. Quando il ricevitore e il trasmettitore sono collegati, i LED lampeggiano rapidamente e quello sul trasmettitore diventa verde fisso, mentre il LED CH 1 GMM diventa bianco fisso. Il LED CH2 del ricevitore Go Mic Mobile ora inizia a lampeggiare lentamente.
5. Per collegare un secondo trasmettitore, tenere premuto il tasto Power/Pair sul secondo trasmettitore per più di 5 secondi. Il LED del trasmettitore inizia a lampeggiare lentamente. Quando il ricevitore e il trasmettitore sono collegati, i LED lampeggiano rapidamente e l'indicatore sul secondo trasmettitore diventa verde fisso, mentre il LED CH2 GMM diventa bianco fisso.  
Nota: se non si desidera collegare un secondo trasmettitore, il ricevitore uscirà dalla modalità di collegamento dopo 20 secondi.
7. Per ricollegare i trasmettitori collegati al ricevitore Go Mic Mobile, tenere premuto il tasto Power/Pair sul ricevitore per più di 5 secondi. Il ricevitore cancella i trasmettitori attualmente collegati ed entra in modalità di collegamento. Se nessun trasmettitore viene collegato al ricevitore, il GMM annulla l'operazione e torna alla modalità di collegamento precedente.

**Nota: al momento di collegare il sistema Go Mic Mobile, assicurarsi che un solo ricevitore GMM sia acceso e un solo microfono alla volta sia in modalità di collegamento.**

## Primi passi - Collegamenti audio

Il Go Mic Mobile può essere collegato a uno smartphone servendosi dell'uscita digitale Micro USB o dell'uscita analogica da 3,5 mm.

### **Collegamento a un dispositivo iOS (iPhone, iPad o iPod Touch)**

Servendosi del cavo da Micro USB a Lightning in dotazione, collegare il cavo di jack di uscita USB Audio del GMM al connettore Lightning sul dispositivo iOS. Una volta collegato, il dispositivo iOS riconoscerà il Go Mic Mobile come dispositivo di ingresso audio.

Aprire un'applicazione di registrazione o video e avviare la registrazione.

*Nota: si raccomanda di impostare il dispositivo iOS su "Non disturbare" o in modalità Aereo per impedire che le registrazioni video o audio vengano interrotte da una telefonata. Lasciare spenta la modalità Aereo per mantenere le informazioni di geolocalizzazione taggate nei file video.*

### **Collegamento a un dispositivo Android con l'uscita audio digitale**

Il Go Mic Mobile offre una compatibilità audio digitale con dispositivi Android 5.0 (Lollipop) o successivi che consentano la connettività audio USB digitale. Non tutte le applicazioni supportano l'audio USB e potrebbe essere necessario scaricare un'app di terzi per utilizzare questa funzione. Per effettuare il collegamento servendosi del jack di uscita audio USB, assicurarsi che il dispositivo Android accetti un ingresso audio digitale. Servendosi del cavo da Micro USB a USB tipo C o da Micro USB a Micro USB, collegare il cavo all'uscita audio Micro USB sul GMM e l'ingresso USB del dispositivo mobile Android.

### **Collegamento a un dispositivo mobile con l'uscita audio analogica**

Se il dispositivo mobile non accetta ingressi audio digitali, il GMM può essere collegato servendosi dell'uscita analogica da 3,5 mm. Al momento di collegarsi a uno smartphone, occorrerà impostare l'interruttore di scelta uscita analogica su Out 1 o Out 2. Per la maggior parte degli smartphone, l'impostazione adeguata è l'Out 1 (CTIA / AHJ). Se il dispositivo mobile impiega il cablaggio OMTP per l'ingresso, servirsi della posizione Out 2. Per maggiori informazioni sul cablaggio dello smartphone, recarsi alla pagina [www.samsontech.com/support/go-mic-mobile](http://www.samsontech.com/support/go-mic-mobile)

### **Collegamento a un DSLR, a una videocamera o a un mixer**

Quando si collega il GMM a una videocamera DSLR, a una videocamera o a un mixer, servirsi dell'uscita audio analogica da 3,5 mm inclusa. Impostare il selettore di uscita su Line/Cuffie.

### **Monitoraggio con il Go Mic Mobile**

L'uscita da 3,5 mm del GMM può essere utilizzata per monitorare l'audio trasmesso al ricevitore. L'uscita cuffie segue l'interruttore MIX / 2 CH. Il livello delle cuffie è controllato dal cursore VOL uscita e segue il livello di uscita dell'uscita audio USB.

## Primi passi - Impostazione del volume di sistema

Un buon audio può migliorare enormemente un video girato male, mentre un audio cattivo è in grado di rovinare qualsiasi video. Per ottenere i risultati migliori al momento di aggiungere audio a video con il Go Mic Mobile, è importante prestare attenzione al guadagno dei trasmettitori e del ricevitore. Se il segnale è troppo alto, può provocare sovraccarico o distorsione. Viceversa, se è troppo basso, può essere necessario alzarlo in post-produzione, cosa che può aggiungere rumore di sottofondo.

I LED CH 1 e CH 2 del ricevitore GMM includono l'indicazione di picco o sovraccarico quando l'ingresso al ricevitore (segnale inviato dal trasmettitore) è sovraccarico. Per impostare il livello dei trasmettitori, mentre si parla nel trasmettitore Go Mic Mobile alzare il comando Gain (all'interno dello scomparto batterie) fino a raggiungere un buon livello di registrazione. Se il corrispondente indicatore CH lampeggia di rosso, abbassare il comando Gain fino a quando non lampeggia più o si accende occasionalmente in caso di segnali molto forti.

Una volta impostato il livello del trasmettitore, eseguire una registrazione di prova per impostare il livello del ricevitore GMM. Se l'app di registrazione presenta un misuratore di ingressi, regolare il comando VOL del ricevitore GMM in modo che il misuratore si trovi il più possibile vicino a 0 dB (o taglio) senza superarlo.

*Nota: il comando VOL del ricevitore non influisce sull'impostazione gain del trasmettitore. Ad esempio, se i trasmettitori inviano un segnale distorto, abbassare il volume del ricevitore non agghiuisterà l'audio, abbasserà solo il livello complessivo del segnale distorto.*

### Interruttore MIX / 2 CH

Il ricevitore GMM può essere collegato con due trasmettitori per ottenere audio da due fonti audio indipendenti. L'interruttore MIX / 2 CH seleziona il modo in cui l'audio verrà inviato alle uscite audio del ricevitore.

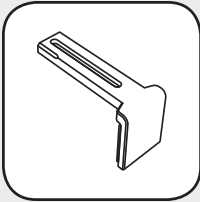
In posizione MIX, i due canali vengono mischiati in mono su entrambe le tracce audio, sinistra e destra.

In posizione 2 CH, il trasmettitore CH 1 si trova sul canale audio sinistro e il trasmettitore CH 2 sul canale audio destro. In modalità 2 CH gli ingressi possono essere convogliati a una traccia diversa in un software di registrazione su computer creando tracce individuali dall'ingresso sinistro o destro, o separando l'audio stereo da un dispositivo di registrazione video per modificare i canali separatamente in post produzione.

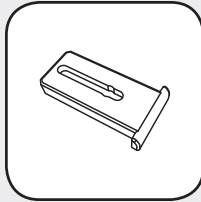
L'interruttore MIX / 2 CH mixa l'audio prima delle uscite audio del ricevitore GMM. Non vi sono modifiche software all'applicazione per filmare o registrare su uno smartphone, videocamera o computer.

## Go Mic Mobile - Istruzioni di montaggio

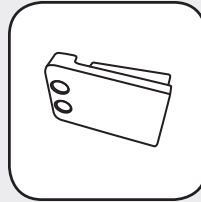
### Accessori di montaggio



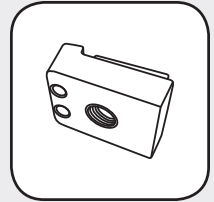
Braccio di montaggio  
regolabile



Coperchio



Braccio di montaggio



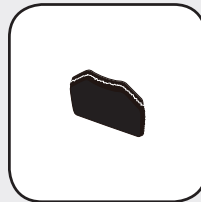
Braccio di  
montaggio 1/4"-20



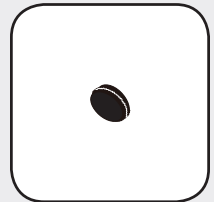
Adattatore attacco  
a slitta



Vite ad alette



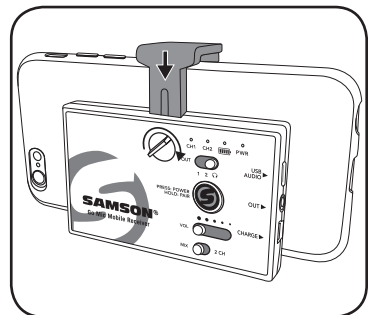
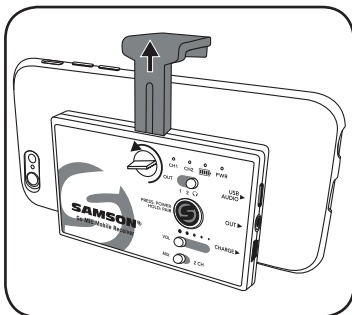
Velcro grande



Velcro piccolo

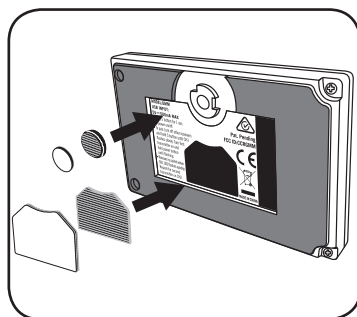
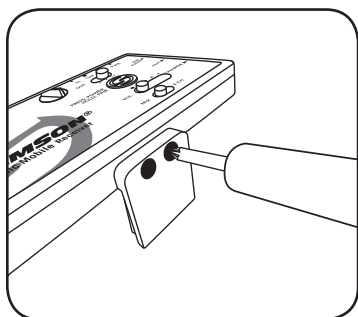
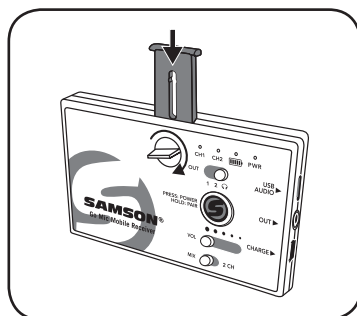
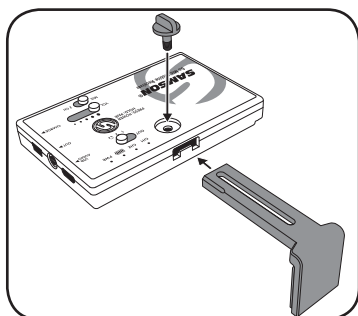
### Montaggio su smartphone

1. Allentare la vite di bloccaggio fino a quando non è possibile muovere il braccio di montaggio regolabile.
2. Posizionare il ricevitore sul lato posteriore dello smartphone.
3. Far scorrere il braccio di montaggio regolabile in modo che si avvicini al bordo dello smartphone.
4. Applicare pressione al braccio di montaggio regolabile e serrare la vite di bloccaggio.



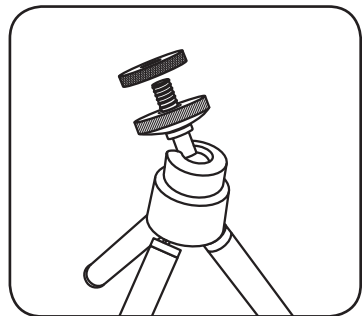
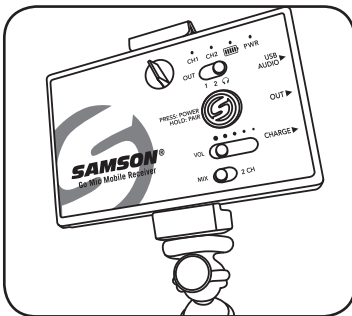
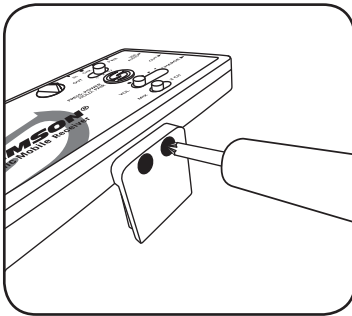
## Montaggio su tablet

1. Allentare completamente e rimuovere la vite di bloccaggio.
2. Far scorrere e rimuovere il braccio di montaggio regolabile.
3. Far scorrere il coperchio nel ricevitore e serrare la vite di bloccaggio
4. Rimuovere il braccio di montaggio fisso, svitando le due viti con testa a croce.
5. Fissare la fascetta di velcro grande staccando la pellicola di protezione dell'adesivo dal lato posteriore e collocando la sezione di velcro grande sul retro del ricevitore Go Mic Mobile.
6. Rimuovere la pellicola di protezione e posizionare il ricevitore sul retro del tablet.
7. Premere il ricevitore Go Mic Mobile contro il tablet per fissarlo.
8. Se il ricevitore Go Mic Mobile non è ben fissato, servirsi della piccola fascetta di velcro aggiuntiva..



## Montaggio su treppiede

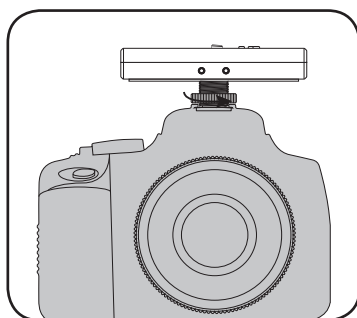
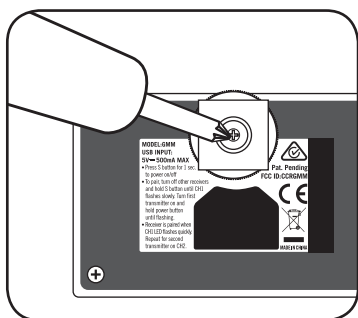
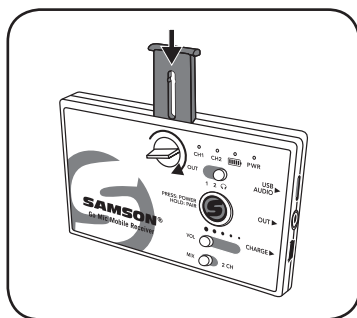
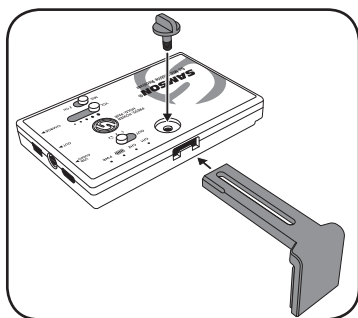
1. Fissare il braccio di montaggio da 1/4"-20 al ricevitore Go Mic Mobile rimuovendo innanzitutto il braccio di montaggio fisso servendosi delle due viti con testa a croce.
2. Fissare il GMM al treppiede seguendo le istruzioni di montaggio di quest'ultimo.
3. Se il perno di montaggio da 1/4"-20 del treppiede è più lungo di 3/8", servirsi della vite in dotazione prima di montare il ricevitore Go Mic Mobile al treppiede.
4. Montare lo smartphone sul ricevitore Go Mic Mobile seguendo le istruzioni della sezione **"Montaggio su Smartphone"**.





## Fissaggio ad un adattatore a slitta

1. Rimuovere il braccio di montaggio fisso, rimuovendo le due viti.
2. Rimuovere il braccio di montaggio regolabile allentando la vite di bloccaggio, facendo scorrere il braccio in posizione chiusa e quindi allentando completamente la vite di bloccaggio per poi staccarlo.
3. Far scorrere il braccio di montaggio fuori dal ricevitore. Riposizionare il braccio di montaggio regolabile con il coperchio.
4. Riposizionare la vite di bloccaggio
5. Posizionare l'adattatore con attacco a slitta in dotazione sulla parte inferiore del ricevitore Go Mic Mobile, assicurandosi che sia ben fissato in modo che rimanga in posizione quando collegato al ricevitore.
6. Servendosi di un cacciavite con testa a croce, fissare l'adattatore con attacco a slitta al ricevitore, stringendo la vite in dotazione.
7. Far scorrere il ricevitore GMM nell'attacco a slitta del dispositivo di collegamento.
8. Una volta posizionato, serrare la grande vite sull'attacco a slitta del ricevitore per fissarlo in posizione.



## Specifiche tecniche

### Sistema wireless Go Mic Mobile

Portata di funzionamento	30 m (100') linea di vista
Frequenza operativa	2.406 ~ 2.478 GHz
Risposta di frequenza	10 Hz – 22 KHz
Temperatura operativa	-10°C ~ +50°C
Versione Firmware	V1.0
Versione Hardware	V1.0
Rapporto segnale/rumore	90 dB (A) mic al guadagno minimo 78 dB (A) mic al guadagno massimo
Accessori	Cavo da Micro USB a Lightning, cavo da Micro USB a Micro USB, cavo da Micro USB a USB-C, cavo da Mini-B USB a USB-A, cavo audio da 3,5 mm, adattatore per attacco a slitta

### Ricevitore GMM

Max. Livello di uscita audio analogico	+6 dBu, =4.4 Vpp, =70 mW per lato in 32Ω
Frequenza di campionamento USB Audio	48 kHz
Supporto audio USB	Windows, Mac OS, iOS, Android, Linux
Durata della batteria	7 – 13 ore a seconda dell'uso
Alimentazione	Batteria interna ricaricabile agli ioni di litio
Tensione operativa	5 V CC 500mA

### Trasmettitore Handheld HXD2

Tipo di microfono	Unidirezionale
Potenza in RF	<10 mW EIRP
Requisiti di alimentazione	Due batterie alcaline AA (LR6)
Durata batteria	20 ore

### Trasmettitore Belt Pack PXD2

Connettore di ingresso	Mini-XLR (P3)
Potenza in RF	<10 mW EIRP
Requisiti di alimentazione	Due batterie alcaline AA (LR6)
Durata batteria	20 ore

*Samson migliora continuamente i suoi prodotti, pertanto specifiche tecniche e immagini sono soggette a modifica senza preavviso.*

## Dichiarazione

“Adatto per iPod”, “Adatto per iPhone” e “Adatto per iPad” significa che un accessorio elettronico è stato progettato per il collegamento specifico a iPod, iPhone, o iPad, rispettivamente, e che lo sviluppatore ha certificato che tale accessorio soddisfa i requisiti standard operativi di Apple. Apple non è responsabile per l'utilizzo di questo dispositivo o per la sua conformità agli standard di sicurezza e normativi. Va notato che l'uso di questo accessorio con iPod, iPhone o iPad può influire sulle prestazioni wireless.

iPad, iPhone e iPod touch sono marchi di fabbrica di Apple Inc., registrati negli Stati Uniti e in altri Paesi. iPad Air e iPad mini sono marchi di fabbrica di Apple Inc. Il marchio di fabbrica “iPhone” è utilizzato dietro licenza rilasciata da Aiphone K.K.

Adatto per

iPhone 7 Plus, iPhone 7, iPhone SE, iPhone 6s Plus, iPhone 6s, iPhone 6 Plus, iPhone 6, iPhone 5s, iPhone 5c, iPhone 5

iPad Pro (9.7”), iPad Pro (12.9”), iPad mini 4, iPad Air 2, iPad mini 3, iPad Air, iPad mini 2, iPad mini, iPad (4a generazione)

iPod touch (6a generazione), iPod touch (5a generazione)

Samson Technologies Corp.  
278-B Duffy Ave  
Hicksville, New York 11801  
Phone: 1-800-3-SAMSON (1-800-372-6766)  
Fax: 631-784-2201  
[www.samsontech.com](http://www.samsontech.com)